



**NSAI**  
Standards

Irish Standard Recommendation  
S.R. CEN/TR 17079:2018

# Design of fastenings for use in concrete - Redundant non-structural systems

**S.R. CEN/TR 17079:2018**

*Incorporating amendments/corrigenda/National Annexes issued since publication:*

The National Standards Authority of Ireland (NSAI) produces the following categories of formal documents:

I.S. xxx: Irish Standard — national specification based on the consensus of an expert panel and subject to public consultation.

S.R. xxx: Standard Recommendation — recommendation based on the consensus of an expert panel and subject to public consultation.

SWiFT xxx: A rapidly developed recommendatory document based on the consensus of the participants of an NSAI workshop.

*This document replaces/revises/consolidates the NSAI adoption of the document(s) indicated on the CEN/CENELEC cover/Foreword and the following National document(s):*

*NOTE: The date of any NSAI previous adoption may not match the date of its original CEN/CENELEC document.*

*This document is based on:*

CEN/TR 17079:2018

*Published:*

2018-09-26

*This document was published under the authority of the NSAI and comes into effect on:*

2018-10-15

ICS number:

21.060.01

91.080.40

NOTE: If blank see CEN/CENELEC cover page

NSAI  
1 Swift Square,  
Northwood, Santry  
Dublin 9

T +353 1 807 3800  
F +353 1 807 3838  
E standards@nsai.ie  
W NSAI.ie

Sales:  
T +353 1 857 6730  
F +353 1 857 6729  
W standards.ie

Údarás um Chaighdeáin Náisiúnta na hÉireann

## National Foreword

S.R. CEN/TR 17079:2018 is the adopted Irish version of the European Document CEN/TR 17079:2018, Design of fastenings for use in concrete - Redundant non-structural systems

This document does not purport to include all the necessary provisions of a contract. Users are responsible for its correct application.

For relationships with other publications refer to the NSAI web store.

**Compliance with this document does not of itself confer immunity from legal obligations.**

*In line with international standards practice the decimal point is shown as a comma (,) throughout this document.*

This page is intentionally left blank

TECHNICAL REPORT

**CEN/TR 17079**

RAPPORT TECHNIQUE

TECHNISCHER BERICHT

September 2018

---

ICS 21.060.01; 91.080.40

English Version

## Design of fastenings for use in concrete - Redundant non-structural systems

Conception-calcul des éléments de fixation pour béton  
- Systèmes redondants non-structurels

Bemessung der Verankerung von Befestigungen in  
Beton - Redundante nicht tragende Systeme

This Technical Report was approved by CEN on 9 April 2017. It has been drawn up by the Technical Committee CEN/TC 250.

CEN members are the national standards bodies of Austria, Belgium, Bulgaria, Croatia, Cyprus, Czech Republic, Denmark, Estonia, Finland, Former Yugoslav Republic of Macedonia, France, Germany, Greece, Hungary, Iceland, Ireland, Italy, Latvia, Lithuania, Luxembourg, Malta, Netherlands, Norway, Poland, Portugal, Romania, Serbia, Slovakia, Slovenia, Spain, Sweden, Switzerland, Turkey and United Kingdom.



EUROPEAN COMMITTEE FOR STANDARDIZATION  
COMITÉ EUROPÉEN DE NORMALISATION  
EUROPÄISCHES KOMITEE FÜR NORMUNG

**CEN-CENELEC Management Centre: Rue de la Science 23, B-1040 Brussels**

<b>Contents</b>		<b>Page</b>
<b>European foreword</b> .....		<b>3</b>
<b>Introduction</b> .....		<b>4</b>
<b>1</b>	<b>Scope</b> .....	<b>5</b>
<b>1.1</b>	<b>General</b> .....	<b>5</b>
<b>1.2</b>	<b>Type of fasteners</b> .....	<b>5</b>
<b>1.3</b>	<b>Fastener dimensions and materials</b> .....	<b>6</b>
<b>1.4</b>	<b>Fastener loading</b> .....	<b>6</b>
<b>1.5</b>	<b>Concrete strength</b> .....	<b>6</b>
<b>1.6</b>	<b>Concrete member loading</b> .....	<b>6</b>
<b>1.7</b>	<b>Concrete member dimensions</b> .....	<b>6</b>
<b>2</b>	<b>Normative references</b> .....	<b>6</b>
<b>3</b>	<b>Terms, definitions and symbols</b> .....	<b>7</b>
<b>3.1</b>	<b>Terms and definitions</b> .....	<b>7</b>
<b>3.2</b>	<b>Symbols</b> .....	<b>7</b>
<b>4</b>	<b>Basis of design</b> .....	<b>7</b>
<b>4.1</b>	<b>General</b> .....	<b>7</b>
<b>4.2</b>	<b>Attached element</b> .....	<b>8</b>
<b>4.3</b>	<b>Fixture</b> .....	<b>8</b>
<b>4.4</b>	<b>Loads at fixing points</b> .....	<b>8</b>
<b>4.5</b>	<b>Verification</b> .....	<b>8</b>
<b>5</b>	<b>Durability</b> .....	<b>8</b>
<b>Bibliography</b> .....		<b>9</b>

## **European foreword**

This document (CEN/TR 17079:2018) has been prepared by Technical Committee CEN/TC 250 “Structural Eurocodes”, the secretariat of which is held by BSI.

Attention is drawn to the possibility that some of the elements of this document may be the subject of patent rights. CEN shall not be held responsible for identifying any or all such patent rights.

## CEN/TR 17079:2018 (E)

### Introduction

EN 1992-4 provides a design method for fastenings (connection of statically determinate and statically indeterminate structural elements and non-structural elements to structural components), which are used to transmit actions to the concrete. EN 1992-4 assumes that with appropriate degree of reliability (see EN 1990) fasteners:

- sustain all actions and influences likely to occur during execution and use (ultimate limit state),
- do not deform to an inadmissible degree (serviceability limit state),
- remain fit for the use for which they are required (durability),
- are not damaged by accidental events to an extent disproportional to the original cause.

This Technical Report provides design guidance for post-installed fasteners for fixing statically indeterminate non-structural light weight systems with at least three fixing points. The fixing may be into normal weight concrete or precast prestressed hollow core slabs.

The proposed design model assumes that load transfer to adjacent fixing points takes place when excessive slip or failure of a fastener occurs under extreme conditions (e.g. large crack width). The suitability of the fasteners should be stated in a European Technical Product Specification for at least multiple use for non-structural applications in concrete (see e.g. assessment guideline developed under the CPD that is ETAG 001-6 [3]).

It is intended that this document is used in conjunction with EN 1992-4.

The numerical values for reliability parameters are recommended values and may be changed in a National Annex, if required. The recommended values apply:

- for post-installed fasteners in accordance with EN 1992-4:2018, 1.2;
- when the installation complies with the requirements of EN 1992-4 2018, 4.6 and Annex F.



## 1 Scope

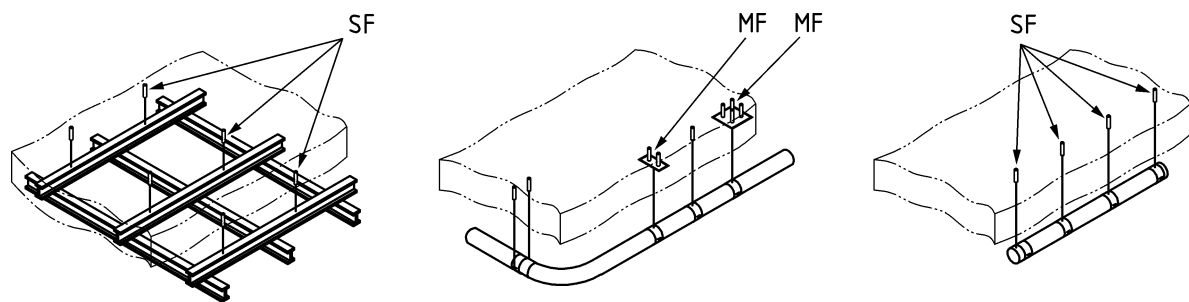
### 1.1 General

This Technical Report provides design rules for fasteners used to connect statically indeterminate non-structural light weight systems (e.g. suspended ceilings, pipe work, ducting) to concrete members such as walls or floors (see Figure 1)).

The proposed design model may be applied to post-installed mechanical and bonded anchors covered by EN 1992-4:2017, 1.2. Their suitability is given in a European Technical Product Specification.

The design rules assume the following:

- under extreme conditions (e.g. large crack width) excessive slip or failure of a fastener might occur;
- elements or systems are attached with at least three fixing points with one or more fasteners at each fixing point;
- where more than one fastener is used at a fixing point (MF, see Figure 1), only fasteners of the same type, size and length are used;
- the attached system is sufficiently stiff to transfer the load at any fixing point to adjacent fixing points without significantly impairing the performance characteristics of the system both at serviceability and ultimate limit states.



#### Key

SF one fastener per fixing point

MF two or more fasteners per fixing point

**Figure 1 — Statically indeterminate non-structural systems with one or more fasteners per fixing point — Examples**

This Technical Report applies to non-structural applications in structures covered by EN 1992-1-1. In applications where special considerations apply, e.g. nuclear power plants or civil defence structures, modifications may be necessary.

This document does not cover the design of the fixture. The design of the fixture will be carried out to comply with the appropriate Standards.

### 1.2 Type of fasteners

Post-installed fasteners according to EN 1992-4.

This is a free preview. Purchase the entire publication at the link below:

[Product Page](#)

- 
- [Looking for additional Standards? Visit Intertek Inform Infostore](#)
  - [Learn about LexConnect, All Jurisdictions, Standards referenced in Australian legislation](#)
-