



**NSAI**  
Standards

Irish Standard  
I.S. EN 17220:2019

# Packaging - Flexible aluminium tubes - Tube nozzles

**I.S. EN 17220:2019**

*Incorporating amendments/corrigenda/National Annexes issued since publication:*

The National Standards Authority of Ireland (NSAI) produces the following categories of formal documents:

I.S. xxx: Irish Standard — national specification based on the consensus of an expert panel and subject to public consultation.

S.R. xxx: Standard Recommendation — recommendation based on the consensus of an expert panel and subject to public consultation.

SWiFT xxx: A rapidly developed recommendatory document based on the consensus of the participants of an NSAI workshop.

*This document replaces/revises/consolidates the NSAI adoption of the document(s) indicated on the CEN/CENELEC cover/Foreword and the following National document(s):*

*NOTE: The date of any NSAI previous adoption may not match the date of its original CEN/CENELEC document.*

*This document is based on:*

EN 17220:2019

*Published:*

2019-08-21

*This document was published under the authority of the NSAI and comes into effect on:*

2019-09-08

ICS number:

55.120

NOTE: If blank see CEN/CENELEC cover page

NSAI  
1 Swift Square,  
Northwood, Santry  
Dublin 9

T +353 1 807 3800  
F +353 1 807 3838  
E standards@nsai.ie  
W NSAI.ie

Sales:  
T +353 1 857 6730  
F +353 1 857 6729  
W standards.ie

Údarás um Chaighdeáin Náisiúnta na hÉireann

## National Foreword

I.S. EN 17220:2019 is the adopted Irish version of the European Document EN 17220:2019, Packaging - Flexible aluminium tubes - Tube nozzles

This document does not purport to include all the necessary provisions of a contract. Users are responsible for its correct application.

For relationships with other publications refer to the NSAI web store.

**Compliance with this document does not of itself confer immunity from legal obligations.**

*In line with international standards practice the decimal point is shown as a comma (,) throughout this document.*

This page is intentionally left blank

EUROPEAN STANDARD

EN 17220

NORME EUROPÉENNE

EUROPÄISCHE NORM

August 2019

---

ICS 55.120

English Version

## Packaging - Flexible aluminium tubes - Tube nozzles

Emballage - Tubes souples en aluminium - Têtes de tubes

Packmittel - Flexible Aluminiumtuben - Tubenhäse

This European Standard was approved by CEN on 7 July 2019.

CEN members are bound to comply with the CEN/CENELEC Internal Regulations which stipulate the conditions for giving this European Standard the status of a national standard without any alteration. Up-to-date lists and bibliographical references concerning such national standards may be obtained on application to the CEN-CENELEC Management Centre or to any CEN member.

This European Standard exists in three official versions (English, French, German). A version in any other language made by translation under the responsibility of a CEN member into its own language and notified to the CEN-CENELEC Management Centre has the same status as the official versions.

CEN members are the national standards bodies of Austria, Belgium, Bulgaria, Croatia, Cyprus, Czech Republic, Denmark, Estonia, Finland, France, Germany, Greece, Hungary, Iceland, Ireland, Italy, Latvia, Lithuania, Luxembourg, Malta, Netherlands, Norway, Poland, Portugal, Republic of North Macedonia, Romania, Serbia, Slovakia, Slovenia, Spain, Sweden, Switzerland, Turkey and United Kingdom.



EUROPEAN COMMITTEE FOR STANDARDIZATION  
COMITÉ EUROPÉEN DE NORMALISATION  
EUROPÄISCHES KOMITEE FÜR NORMUNG

**CEN-CENELEC Management Centre: Rue de la Science 23, B-1040 Brussels**

EN 17220:2019(E)

<b>Contents</b>		<b>Page</b>
<b>European foreword</b> .....		<b>3</b>
<b>1</b>	<b>Scope</b> .....	<b>3</b>
<b>2</b>	<b>Normative references</b> .....	<b>4</b>
<b>3</b>	<b>Terms and definitions</b> .....	<b>4</b>
<b>4</b>	<b>Dimensions</b> .....	<b>5</b>
<b>5</b>	<b>Tube nozzle shapes</b> .....	<b>5</b>
<b>Bibliography</b> .....		<b>10</b>

## **European foreword**

This document (EN 17220:2019) has been prepared by Technical Committee CEN/TC 261 “Packaging”, the secretariat of which is held by AFNOR.

This European Standard shall be given the status of a national standard, either by publication of an identical text or by endorsement, at the latest by February 2020, and conflicting national standards shall be withdrawn at the latest by February 2020.

Attention is drawn to the possibility that some of the elements of this document may be the subject of patent rights. CEN shall not be held responsible for identifying any or all such patent rights.

According to the CEN-CENELEC Internal Regulations, the national standards organisations of the following countries are bound to implement this European Standard: Austria, Belgium, Bulgaria, Croatia, Cyprus, Czech Republic, Denmark, Estonia, Finland, France, Germany, Greece, Hungary, Iceland, Ireland, Italy, Latvia, Lithuania, Luxembourg, Malta, Netherlands, Norway, Poland, Portugal, Republic of North Macedonia, Romania, Serbia, Slovakia, Slovenia, Spain, Sweden, Switzerland, Turkey and the United Kingdom.

**EN 17220:2019(E)****1 Scope**

This document is applicable to flexible aluminium tubes.

This document defines the dimensions of the tube nozzle including orifice and thread.

**2 Normative references**

The following documents are referred to in the text in such a way that some or all of their content constitutes requirements of this document. For dated references, only the edition cited applies. For undated references, the latest edition of the referenced document (including any amendments) applies.

EN 12374:2009, *Packaging — Flexible tubes — Terminology*

**3 Terms and definitions**

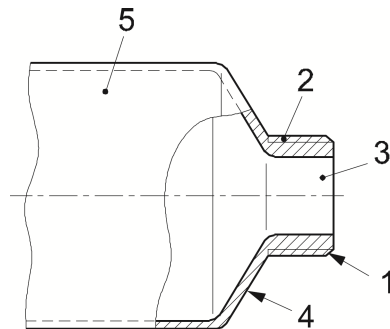
For the purposes of this document, the terms and definitions given in EN 12374:2009 and the following apply.

NOTE See also Figure 1.

ISO and IEC maintain terminological databases for use in standardization at the following addresses:

— IEC Electropedia: available at <http://www.electropedia.org/>

— ISO Online browsing platform: available at <https://www.iso.org/obp>

**Key**

- 1 tube nozzle
- 2 tube thread
- 3 tube nozzle orifice
- 4 tube shoulder
- 5 tube body

**Figure 1 — Examples of definitions for a tube**

**3.1****tube nozzle shape A**

tube nozzle with metrical outer thread and smooth shoulder

**3.2****tube nozzle shape B**

tube nozzle with metrical outer thread with cannula nozzle



This is a free preview. Purchase the entire publication at the link below:

[Product Page](#)

- 
- [Looking for additional Standards? Visit Intertek Inform Infostore](#)
  - [Learn about LexConnect, All Jurisdictions, Standards referenced in Australian legislation](#)
-