



NSAI
Standards

Irish Standard
I.S. EN IEC 60352-3:2020

Solderless connections - Part 3: Accessible insulation displacement (ID) connections - General requirements, test methods and practical guidance

I.S. EN IEC 60352-3:2020

Incorporating amendments/corrigenda/National Annexes issued since publication:

The National Standards Authority of Ireland (NSAI) produces the following categories of formal documents:

I.S. xxx: Irish Standard — national specification based on the consensus of an expert panel and subject to public consultation.

S.R. xxx: Standard Recommendation — recommendation based on the consensus of an expert panel and subject to public consultation.

SWiFT xxx: A rapidly developed recommendatory document based on the consensus of the participants of an NSAI workshop.

This document replaces/revises/consolidates the NSAI adoption of the document(s) indicated on the CEN/CENELEC cover/Foreword and the following National document(s):

NOTE: The date of any NSAI previous adoption may not match the date of its original CEN/CENELEC document.

This document is based on:

EN IEC 60352-3:2020

Published:

2020-05-29

This document was published under the authority of the NSAI and comes into effect on:

2020-06-30

ICS number:

29.120.20

NOTE: If blank see CEN/CENELEC cover page

NSAI
1 Swift Square,
Northwood, Santry
Dublin 9

T +353 1 807 3800
F +353 1 807 3838
E standards@nsai.ie
W NSAI.ie

Sales:
T +353 1 857 6730
F +353 1 857 6729
W standards.ie

Údarás um Chaighdeáin Náisiúnta na hÉireann

National Foreword

I.S. EN IEC 60352-3:2020 is the adopted Irish version of the European Document EN IEC 60352-3:2020, Solderless connections - Part 3: Accessible insulation displacement (ID) connections - General requirements, test methods and practical guidance

This document does not purport to include all the necessary provisions of a contract. Users are responsible for its correct application.

For relationships with other publications refer to the NSAI web store.

Compliance with this document does not of itself confer immunity from legal obligations.

In line with international standards practice the decimal point is shown as a comma (,) throughout this document.

This page is intentionally left blank

EUROPEAN STANDARD

EN IEC 60352-3

NORME EUROPÉENNE

EUROPÄISCHE NORM

May 2020

ICS 29.120.20

Supersedes EN 60352-3:1994 and all of its amendments
and corrigenda (if any)

English Version

**Solderless connections - Part 3: Accessible insulation
displacement (ID) connections - General requirements, test
methods and practical guidance
(IEC 60352-3:2020)**

Connexions sans soudure - Partie 3: Connexions
autodénudantes accessibles sans soudure - Règles
générales, méthodes d'essai et guide pratique
(IEC 60352-3:2020)

Lötfreie elektrische Verbindungen - Teil 3: Lötfreie
zugängliche Schneidklemmverbindungen - Allgemeine
Anforderungen, Prüfverfahren und Anwendungshinweise
(IEC 60352-3:2020)

This European Standard was approved by CENELEC on 2020-05-14. CENELEC members are bound to comply with the CEN/CENELEC Internal Regulations which stipulate the conditions for giving this European Standard the status of a national standard without any alteration.

Up-to-date lists and bibliographical references concerning such national standards may be obtained on application to the CEN-CENELEC Management Centre or to any CENELEC member.

This European Standard exists in three official versions (English, French, German). A version in any other language made by translation under the responsibility of a CENELEC member into its own language and notified to the CEN-CENELEC Management Centre has the same status as the official versions.

CENELEC members are the national electrotechnical committees of Austria, Belgium, Bulgaria, Croatia, Cyprus, the Czech Republic, Denmark, Estonia, Finland, France, Germany, Greece, Hungary, Iceland, Ireland, Italy, Latvia, Lithuania, Luxembourg, Malta, the Netherlands, Norway, Poland, Portugal, Republic of North Macedonia, Romania, Serbia, Slovakia, Slovenia, Spain, Sweden, Switzerland, Turkey and the United Kingdom.



European Committee for Electrotechnical Standardization
Comité Européen de Normalisation Electrotechnique
Europäisches Komitee für Elektrotechnische Normung

CEN-CENELEC Management Centre: Rue de la Science 23, B-1040 Brussels

EN IEC 60352-3:2020 (E)

European foreword

The text of document 48B/2789/FDIS, future edition 2 of IEC 60352-3, prepared by SC 48B "Electrical connectors" of IEC/TC 48 "Electrical connectors and mechanical structures for electrical and electronic equipment" was submitted to the IEC-CENELEC parallel vote and approved by CENELEC as EN IEC 60352-3:2020.

The following dates are fixed:

- latest date by which the document has to be implemented at national level by publication of an identical national standard or by endorsement (dop) 2021-02-14
- latest date by which the national standards conflicting with the document have to be withdrawn (dow) 2023-05-14

This document supersedes EN 60352-3:1994 and all of its amendments and corrigenda (if any).

Attention is drawn to the possibility that some of the elements of this document may be the subject of patent rights. CENELEC shall not be held responsible for identifying any or all such patent rights.

Endorsement notice

The text of the International Standard IEC 60352-3:2020 was approved by CENELEC as a European Standard without any modification.

In the official version, for Bibliography, the following notes have to be added for the standards indicated:

IEC 60352-4	NOTE	Harmonized as EN 60352-4
IEC 61984	NOTE	Harmonized as EN 61984

Annex ZA (normative)

Normative references to international publications with their corresponding European publications

The following documents are referred to in the text in such a way that some or all of their content constitutes requirements of this document. For dated references, only the edition cited applies. For undated references, the latest edition of the referenced document (including any amendments) applies.

NOTE 1 Where an International Publication has been modified by common modifications, indicated by (mod), the relevant EN/HD applies.

NOTE 2 Up-to-date information on the latest versions of the European Standards listed in this annex is available here: www.cenelec.eu.

<u>Publication</u>	<u>Year</u>	<u>Title</u>	<u>EN/HD</u>	<u>Year</u>
IEC 60068-1	-	Environmental testing - Part 1: General and guidance	EN 60068-1	-
IEC 60228	-	Conductors of insulated cables	EN 60228	-
IEC 60512-1	-	Conductors of insulated cables	EN IEC 60512-1	-
IEC 60512-1-1	-	Connectors for electronic equipment - Tests and measurements - Part 1-1: General examination - Test 1a: Visual examination	EN 60512-1-1	-
IEC 60512-1-2	-	Connectors for electronic equipment - Tests and measurements - Part 1-2: General examination - Test 1b: Examination of dimension and mass	EN 60512-1-2	-
IEC 60512-2-1	-	Connectors for electronic equipment - Tests and measurements - Part 2-1: Electrical continuity and contact resistance tests - Test 2a: Contact resistance - Millivolt level method	EN 60512-2-1	-
IEC 60512-2-2	-	Connectors for electronic equipment - Tests and measurements - Part 2-2: Electrical continuity and contact resistance tests - Test 2b: Contact resistance - Specified test current method	EN 60512-2-2	-
IEC 60512-2-5	-	Connectors for electronic equipment - Tests and measurements - Part 2-5: Electrical continuity and contact resistance tests - Test 2e: Contact disturbance	EN 60512-2-5	-

EN IEC 60352-3:2020 (E)

IEC 60512-6-4	-	Connectors for electronic equipment - Tests and measurements - Part 6-4: Dynamic stress tests - Test 6d: Vibration (sinusoidal)	EN 60512-6-4	-
IEC 60512-9-2	-	Connectors for electronic equipment - Tests and measurements - Part 9-2: Endurance tests - Test 9b: Electrical load and temperature	EN 60512-9-2	-
IEC 60512-11-1	-	Connectors for electrical and electronic equipment - Tests and measurements - Part 11-1: Climatic tests - Test 11a - Climatic sequence	EN IEC 60512-11-1	-
IEC 60512-11-4	-	Connectors for electronic equipment - Tests and measurements - Part 11-4: Climatic tests - Test 11d: Rapid change of temperature	EN 60512-11-4	-
IEC 60512-11-7	-	Connectors for electronic equipment - Tests and measurements - Part 11-7: Climatic tests - Test 11g: Flowing mixed gas corrosion test	EN 60512-11-7	-
IEC 60512-11-9	-	Connectors for electronic equipment - Tests and measurements - Part 11-9: Climatic tests - Test 11i: Dry heat	EN 60512-11-9	-
IEC 60512-11-10	-	Connectors for electronic equipment - Tests and measurements - Part 11-10: Climatic tests - Test 11j: Cold	EN 60512-11-10	-
IEC 60512-11-12	-	Connectors for electronic equipment - Tests and measurements - Part 11-12: Climatic tests - Test 11m: Damp heat, cyclic	EN 60512-11-12	-



IEC 60352-3

Edition 2.0 2020-04

INTERNATIONAL STANDARD

NORME INTERNATIONALE

**Solderless connections –
Part 3: Accessible insulation displacement (ID) connections – General
requirements, test methods and practical guidance**

**Connexions sans soudure –
Partie 3: Connexions autodénudantes accessibles – Règles générales, méthodes
d'essai et guide pratique**





THIS PUBLICATION IS COPYRIGHT PROTECTED

Copyright © 2020 IEC, Geneva, Switzerland

All rights reserved. Unless otherwise specified, no part of this publication may be reproduced or utilized in any form or by any means, electronic or mechanical, including photocopying and microfilm, without permission in writing from either IEC or IEC's member National Committee in the country of the requester. If you have any questions about IEC copyright or have an enquiry about obtaining additional rights to this publication, please contact the address below or your local IEC member National Committee for further information.

Droits de reproduction réservés. Sauf indication contraire, aucune partie de cette publication ne peut être reproduite ni utilisée sous quelque forme que ce soit et par aucun procédé, électronique ou mécanique, y compris la photocopie et les microfilms, sans l'accord écrit de l'IEC ou du Comité national de l'IEC du pays du demandeur. Si vous avez des questions sur le copyright de l'IEC ou si vous désirez obtenir des droits supplémentaires sur cette publication, utilisez les coordonnées ci-après ou contactez le Comité national de l'IEC de votre pays de résidence.

IEC Central Office
3, rue de Varembe
CH-1211 Geneva 20
Switzerland

Tel.: +41 22 919 02 11
info@iec.ch
www.iec.ch

About the IEC

The International Electrotechnical Commission (IEC) is the leading global organization that prepares and publishes International Standards for all electrical, electronic and related technologies.

About IEC publications

The technical content of IEC publications is kept under constant review by the IEC. Please make sure that you have the latest edition, a corrigendum or an amendment might have been published.

IEC publications search - webstore.iec.ch/advsearchform

The advanced search enables to find IEC publications by a variety of criteria (reference number, text, technical committee,...). It also gives information on projects, replaced and withdrawn publications.

IEC Just Published - webstore.iec.ch/justpublished

Stay up to date on all new IEC publications. Just Published details all new publications released. Available online and once a month by email.

IEC Customer Service Centre - webstore.iec.ch/csc

If you wish to give us your feedback on this publication or need further assistance, please contact the Customer Service Centre: sales@iec.ch.

Electropedia - www.electropedia.org

The world's leading online dictionary on electrotechnology, containing more than 22 000 terminological entries in English and French, with equivalent terms in 16 additional languages. Also known as the International Electrotechnical Vocabulary (IEV) online.

IEC Glossary - std.iec.ch/glossary

67 000 electrotechnical terminology entries in English and French extracted from the Terms and Definitions clause of IEC publications issued since 2002. Some entries have been collected from earlier publications of IEC TC 37, 77, 86 and CISPR.

A propos de l'IEC

La Commission Electrotechnique Internationale (IEC) est la première organisation mondiale qui élabore et publie des Normes internationales pour tout ce qui a trait à l'électricité, à l'électronique et aux technologies apparentées.

A propos des publications IEC

Le contenu technique des publications IEC est constamment revu. Veuillez vous assurer que vous possédez l'édition la plus récente, un corrigendum ou amendement peut avoir été publié.

Recherche de publications IEC -

webstore.iec.ch/advsearchform

La recherche avancée permet de trouver des publications IEC en utilisant différents critères (numéro de référence, texte, comité d'études,...). Elle donne aussi des informations sur les projets et les publications remplacées ou retirées.

IEC Just Published - webstore.iec.ch/justpublished

Restez informé sur les nouvelles publications IEC. Just Published détaille les nouvelles publications parues. Disponible en ligne et une fois par mois par email.

Service Clients - webstore.iec.ch/csc

Si vous désirez nous donner des commentaires sur cette publication ou si vous avez des questions contactez-nous: sales@iec.ch.

Electropedia - www.electropedia.org

Le premier dictionnaire d'électrotechnologie en ligne au monde, avec plus de 22 000 articles terminologiques en anglais et en français, ainsi que les termes équivalents dans 16 langues additionnelles. Egalement appelé Vocabulaire Electrotechnique International (IEV) en ligne.

Glossaire IEC - std.iec.ch/glossary

67 000 entrées terminologiques électrotechniques, en anglais et en français, extraites des articles Termes et Définitions des publications IEC parues depuis 2002. Plus certaines entrées antérieures extraites des publications des CE 37, 77, 86 et CISPR de l'IEC.



IEC 60352-3

Edition 2.0 2020-04

INTERNATIONAL STANDARD

NORME INTERNATIONALE

**Solderless connections –
Part 3: Accessible insulation displacement (ID) connections – General
requirements, test methods and practical guidance**

**Connexions sans soudure –
Partie 3: Connexions autodénudantes accessibles – Règles générales, méthodes
d'essai et guide pratique**

INTERNATIONAL
ELECTROTECHNICAL
COMMISSION

COMMISSION
ELECTROTECHNIQUE
INTERNATIONALE

ICS 29.120.20

ISBN 978-2-8322-8086-7

**Warning! Make sure that you obtained this publication from an authorized distributor.
Attention! Veuillez vous assurer que vous avez obtenu cette publication via un distributeur agréé.**

CONTENTS

FOREWORD	5
INTRODUCTION	7
1 Scope	9
2 Normative references	9
3 Terms and definitions	10
4 Workmanship	13
5 Prerequisites for basic test schedule	13
5.1 General	13
5.2 Prerequisites for accessible ID terminations	14
5.2.1 Accessible ID termination materials	14
5.2.2 Accessible ID termination dimensions	14
5.2.3 Accessible ID termination surface finishes	14
5.2.4 Accessible ID termination design features	14
5.3 Prerequisites for wires and conductors	14
5.3.1 Wires and conductors	14
5.3.2 Wire insulation	15
5.4 Accessible insulation displacement connections (accessible ID connections)	15
6 Testing	15
6.1 Introduction	15
6.2 General	15
6.3 Standard conditions for testing	16
6.4 Preconditioning	16
6.5 Recovery	16
6.6 Mounting of specimen	16
7 Tests	16
7.1 General examination	16
7.2 Mechanical tests	17
7.2.1 Transverse extraction force	17
7.2.2 Bending of the wire	18
7.2.3 Vibration	19
7.2.4 Repeated connection and disconnection, reusable accessible ID terminations	20
7.3 Electrical tests	20
7.3.1 General	20
7.3.2 Contact resistance	21
7.3.3 Electrical load and temperature	22
7.4 Climatic tests	22
7.4.1 General	22
7.4.2 Rapid change of temperature	22
7.4.3 Climatic sequence	22
7.4.4 Flowing mixed gas corrosion test	22
7.4.5 Damp heat, cyclic	23
8 Test schedules	23
8.1 General	23
8.1.1 Overview	23

8.1.2	ID connections with terminations suitable for a range of wire diameters	23
8.1.3	Multipole connectors	23
8.2	Basic test schedule	24
8.2.1	Généralités	24
8.2.2	Initial examination	24
8.2.3	Testing of accessible ID connections	24
8.3	Full test schedule	26
8.3.1	General	26
8.3.2	Initial examination	26
8.3.3	Testing of accessible ID connections	26
8.4	Flow charts	29
Annex A (informative)	Practical guidance	32
A.1	General information on accessible ID connections	32
A.1.1	General	32
A.1.2	Advantages of accessible ID connections	32
A.2	Current-carrying capacity	33
A.3	Tool information	33
A.3.1	Wire insertion tool	33
A.3.2	Wire extraction tool	33
A.3.3	Combination tool	33
A.4	Termination information	33
A.4.1	General	33
A.4.2	Design features	34
A.4.3	Materials	34
A.4.4	Surface finishes	34
A.5	Wire information	34
A.5.1	Type	34
A.5.2	Dimensions	34
A.5.3	Surface finishes	34
A.5.4	Insulation	34
A.6	Connection information	35
Annex B (informative)	Application examples	37
B.1	Examples for good IDCs or negative results (see Figure B.1 to Figure B.7)	37
B.2	Examples for good transversal micro section or negative results	39
Bibliography	40
Figure 1	– Example of accessible and non-accessible insulation displacement connection	7
Figure 2	– Insulation displacement connection	11
Figure 3	– Slot	12
Figure 4	– Beam	13
Figure 5	– Test arrangement, transverse extraction force	17
Figure 6	– Test arrangement, bending of the wire	18
Figure 7	– Test arrangement, vibration	19
Figure 8	– Test arrangement, contact resistance	21
Figure 9	– Basic test schedule (see 8.2)	30
Figure 10	– Full test schedule (see 8.3)	31

Figure A.1 – Example of a single-type accessible ID termination with a solid round conductor.....	36
Figure B.1 – Example of correct and acceptable ID connections	37
Figure B.2 – Examples for good IDCs or negative results.....	37
Figure B.3 – Faulty IDC: damaged contacts	38
Figure B.4 – Requirements for open-ended IDCs	38
Figure B.5 – Faulty IDC: damaged wire.....	38
Figure B.6 – IDC: Wire position.....	39
Figure B.7 – IDC: transversal micro section	39
Table 1 – Minimum transverse extraction force	18
Table 2 – Vibration, preferred test severities	19
Table 3 – Contact resistance of accessible ID connections, maximum permitted values	21
Table 4 – Number of specimens required	24
Table 5 – Qualification test schedule – Test group 1	25
Table 6 – Qualification test schedule – Test group 2	25
Table 7 – Qualification test schedule – Test group 3	26
Table 8 – Qualification test schedule – Test group A.....	27
Table 9 – Qualification test schedule – Test group B.....	27
Table 10 – Qualification test schedule – Test group C	28
Table 11 – Qualification test schedule – Test group D	29
Table 12 – Qualification test schedule – Test group E.....	29

INTERNATIONAL ELECTROTECHNICAL COMMISSION

SOLDERLESS CONNECTIONS –**Part 3: Accessible insulation displacement (ID) connections –
General requirements, test methods and practical guidance****FOREWORD**

- 1) The International Electrotechnical Commission (IEC) is a worldwide organization for standardization comprising all national electrotechnical committees (IEC National Committees). The object of IEC is to promote international co-operation on all questions concerning standardization in the electrical and electronic fields. To this end and in addition to other activities, IEC publishes International Standards, Technical Specifications, Technical Reports, Publicly Available Specifications (PAS) and Guides (hereafter referred to as "IEC Publication(s)"). Their preparation is entrusted to technical committees; any IEC National Committee interested in the subject dealt with may participate in this preparatory work. International, governmental and non-governmental organizations liaising with the IEC also participate in this preparation. IEC collaborates closely with the International Organization for Standardization (ISO) in accordance with conditions determined by agreement between the two organizations.
- 2) The formal decisions or agreements of IEC on technical matters express, as nearly as possible, an international consensus of opinion on the relevant subjects since each technical committee has representation from all interested IEC National Committees.
- 3) IEC Publications have the form of recommendations for international use and are accepted by IEC National Committees in that sense. While all reasonable efforts are made to ensure that the technical content of IEC Publications is accurate, IEC cannot be held responsible for the way in which they are used or for any misinterpretation by any end user.
- 4) In order to promote international uniformity, IEC National Committees undertake to apply IEC Publications transparently to the maximum extent possible in their national and regional publications. Any divergence between any IEC Publication and the corresponding national or regional publication shall be clearly indicated in the latter.
- 5) IEC itself does not provide any attestation of conformity. Independent certification bodies provide conformity assessment services and, in some areas, access to IEC marks of conformity. IEC is not responsible for any services carried out by independent certification bodies.
- 6) All users should ensure that they have the latest edition of this publication.
- 7) No liability shall attach to IEC or its directors, employees, servants or agents including individual experts and members of its technical committees and IEC National Committees for any personal injury, property damage or other damage of any nature whatsoever, whether direct or indirect, or for costs (including legal fees) and expenses arising out of the publication, use of, or reliance upon, this IEC Publication or any other IEC Publications.
- 8) Attention is drawn to the Normative references cited in this publication. Use of the referenced publications is indispensable for the correct application of this publication.
- 9) Attention is drawn to the possibility that some of the elements of this IEC Publication may be the subject of patent rights. IEC shall not be held responsible for identifying any or all such patent rights.

International Standard IEC 60352-3 has been prepared by subcommittee 48B: Electrical connectors, of IEC technical committee 48: Electrical connectors and mechanical structures for electrical and electronic equipment.

This second edition cancels and replaces the first edition published in 1993. This edition constitutes a technical revision.

This edition includes the following significant technical changes with respect to the previous edition:

- a) Subclause 7.2.2: reduce the limit of duration of contact disturbance to 1 μ s.
- b) Subclause 7.2.3: reduce the limit of duration of contact disturbance to 1 μ s.
- c) Transferred Clauses 9 to 13 to Annex A (informative).
- d) The figures were revised for clarity.

The text of this International Standard is based on the following documents:

FDIS	Report on voting
48B/2789/FDIS	48B/2802/RVD

Full information on the voting for the approval of this International Standard can be found in the report on voting indicated in the above table.

This document has been drafted in accordance with the ISO/IEC Directives, Part 2.

A list of all parts in the IEC 60352 series, published under the general title *Solderless connections*, can be found on the IEC website.

The committee has decided that the contents of this document will remain unchanged until the stability date indicated on the IEC website under "<http://webstore.iec.ch>" in the data related to the specific document. At this date, the document will be

- reconfirmed,
- withdrawn,
- replaced by a revised edition, or
- amended.

INTRODUCTION

The two following parts of IEC 60352 are available on solderless insulation displacement connections:

- Part 3: Accessible insulation displacement connections – General requirements, test methods and practical guidance;
- Part 4: Solderless non-accessible insulation displacement connections – General requirements, test methods and practical guidance.

NOTE In this document the term "insulation displacement" is abbreviated to "ID", for example "ID connection", "ID termination".

Figure 1 illustrates examples of accessible and non-accessible insulation displacement connections that clarify the difference among them.

Part 3 includes requirements and relevant tests (normative) as well as a practical guidance in Annex A (informative) for accessible ID connections.

Two test schedules are provided:

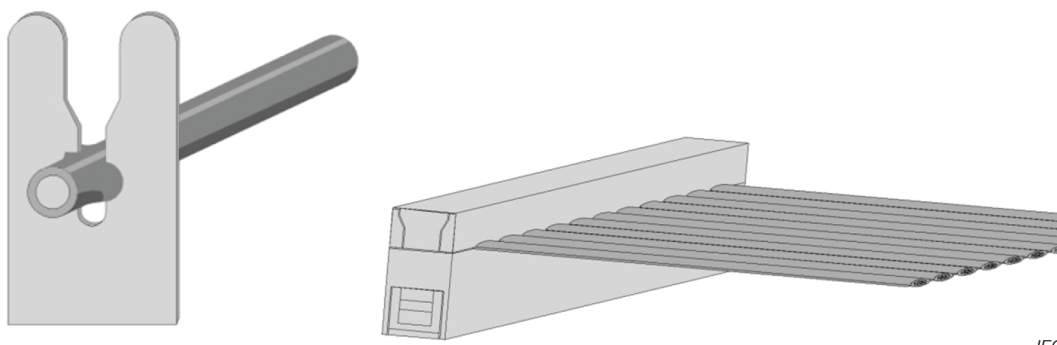
- the basic test schedule which applies to insulation displacement connections which conform to all prerequisites of Clause 5. It is derived from experience with successful applications of such connections;
- the full test schedule which applies to insulation displacement connections which do not fully conform to all prerequisites of Clause 5, for example which are manufactured using materials or finishes not included in Clause 5.

This philosophy permits cost and time effective performance verification using a limited basic test schedule for established insulation displacement connections and an expanded full test schedule for connections requiring more extensive performance validation.

The suitability of the accessible ID connection implies that the specified requirements and tests apply to all factors involved in producing a suitable ID connection, namely:

- the accessible ID termination, which may be part of a single-pole or multipole connector;
- the wire (or range of wires) for which the termination is suitable;
- the tools (if any) required to produce that type of solderless connection.

The practical guidance (informative Annex A) serves as a guideline for the required workmanship. Attention is drawn to the fact that some industries (e.g. automotive, aerospace, nuclear, military) may have specific workmanship standards and/or quality requirements, which are outside the scope of this standard.



IEC

Figure 1 – Example of accessible and non-accessible insulation displacement connection

IEC Guide 109 advocates the need to minimise the impact of a product on the natural environment throughout the product life cycle.

It is understood that some of the materials permitted in this document may have a negative environmental impact.

As technological advances lead to acceptable alternatives for these materials, they will be eliminated from the document.

SOLDERLESS CONNECTIONS –

Part 3: Accessible insulation displacement (ID) connections – General requirements, test methods and practical guidance

1 Scope

This part of IEC 60352 is applicable to ID connections which are accessible for tests and measurements according to Clauses 6 through 8 and which are made with:

- appropriately designed accessible ID terminations,
- wires having solid round conductors of 0,25 mm to 3,6 mm nominal diameter,
- wires having stranded conductors of 0,05 mm² to 10 mm² cross-sectional area,

for use in electrical and electronic equipment and components.

Information on materials and data from industrial experience is included in addition to the test procedures to provide electrically stable connections under prescribed environmental conditions.

There are different designs and materials for accessible ID terminations in use. For this reason only fundamental parameters of the termination are specified, while the performance requirements of the wire and the complete connection are specified in full detail.

The purpose of this document is:

- to determine the suitability of accessible ID connections under specified mechanical, electrical and atmospheric conditions;
- to provide a means of comparing test results when the tools used to make the connections, if any, are of different designs or manufacture.

2 Normative references

The following documents are referred to in the text in such a way that some or all of their content constitutes requirements of this document. For dated references, only the edition cited applies. For undated references, the latest edition of the referenced document (including any amendments) applies.

IEC 60068-1, *Environmental testing – Part 1: General and guidance*

IEC 60228, *Conductors of insulated cables*

IEC 60512-1, *Connectors for electrical and electronic equipment – Tests and measurements – Part 1: Generic specification*

IEC 60512-1-1, *Connectors for electronic equipment – Tests and measurements – Part 1-1: General examination – Test 1a: Visual examination*

IEC 60512-1-2, *Connectors for electronic equipment – Tests and measurements – Part 1-2: General examination – Test 1b: Examination of dimension and mass*

IEC 60512-2-1, *Connectors for electronic equipment – Part 2: Electrical continuity and contact resistance tests – Test 2a: Contact resistance – Millivolt level method*

This is a free preview. Purchase the entire publication at the link below:

[Product Page](#)

-
- [Looking for additional Standards? Visit Intertek Inform Infostore](#)
 - [Learn about LexConnect, All Jurisdictions, Standards referenced in Australian legislation](#)
-