



NSAI
Standards

Irish Standard
I.S. EN ISO 19650-5:2020

Organization and digitization of information about buildings and civil engineering works, including building information modelling (BIM) - Information management using building information modelling - Part 5: Security-minded approach to information management (ISO 19650-5:2020)

I.S. EN ISO 19650-5:2020

Incorporating amendments/corrigenda/National Annexes issued since publication:

The National Standards Authority of Ireland (NSAI) produces the following categories of formal documents:

I.S. xxx: Irish Standard — national specification based on the consensus of an expert panel and subject to public consultation.

S.R. xxx: Standard Recommendation — recommendation based on the consensus of an expert panel and subject to public consultation.

SWiFT xxx: A rapidly developed recommendatory document based on the consensus of the participants of an NSAI workshop.

This document replaces/revises/consolidates the NSAI adoption of the document(s) indicated on the CEN/CENELEC cover/Foreword and the following National document(s):

NOTE: The date of any NSAI previous adoption may not match the date of its original CEN/CENELEC document.

This document is based on:

EN ISO 19650-5:2020

Published:

2020-07-01

This document was published under the authority of the NSAI and comes into effect on:

2020-07-20

ICS number:

35.240.67

91.010.01

NOTE: If blank see CEN/CENELEC cover page

NSAI
1 Swift Square,
Northwood, Santry
Dublin 9

T +353 1 807 3800
F +353 1 807 3838
E standards@nsai.ie
W NSAI.ie

Sales:
T +353 1 857 6730
F +353 1 857 6729
W standards.ie

Údarás um Chaighdeáin Náisiúnta na hÉireann

National Foreword

I.S. EN ISO 19650-5:2020 is the adopted Irish version of the European Document EN ISO 19650-5:2020, Organization and digitization of information about buildings and civil engineering works, including building information modelling (BIM) - Information management using building information modelling - Part 5: Security-minded approach to information management (ISO 19650-5:2020)

This document does not purport to include all the necessary provisions of a contract. Users are responsible for its correct application.

For relationships with other publications refer to the NSAI web store.

Compliance with this document does not of itself confer immunity from legal obligations.

In line with international standards practice the decimal point is shown as a comma (,) throughout this document.

This page is intentionally left blank

EUROPEAN STANDARD

EN ISO 19650-5

NORME EUROPÉENNE

EUROPÄISCHE NORM

July 2020

ICS 35.240.67; 91.010.01

English Version

**Organization and digitization of information about
buildings and civil engineering works, including building
information modelling (BIM) - Information management
using building information modelling - Part 5: Security-
minded approach to information management (ISO 19650-
5:2020)**

Organisation et numérisation des informations
relatives aux bâtiments et ouvrages de génie civil, y
compris modélisation des informations de la
construction (BIM) - Gestion de l'information par la
modélisation des informations de la construction -
Partie 5: Approche de la gestion de l'information axée
sur la sécurité (ISO 19650-5:2020)

Organisation von Daten zu Bauwerken -
Informationsmanagement mit BIM - Teil 5:
Spezifikation für Sicherheitsbelange von BIM, der
digitalisierten Bauwerke und des smarten
Assetmanagements (ISO 19650-5:2020)

This European Standard was approved by CEN on 15 June 2020.

CEN members are bound to comply with the CEN/CENELEC Internal Regulations which stipulate the conditions for giving this European Standard the status of a national standard without any alteration. Up-to-date lists and bibliographical references concerning such national standards may be obtained on application to the CEN-CENELEC Management Centre or to any CEN member.

This European Standard exists in three official versions (English, French, German). A version in any other language made by translation under the responsibility of a CEN member into its own language and notified to the CEN-CENELEC Management Centre has the same status as the official versions.

CEN members are the national standards bodies of Austria, Belgium, Bulgaria, Croatia, Cyprus, Czech Republic, Denmark, Estonia, Finland, France, Germany, Greece, Hungary, Iceland, Ireland, Italy, Latvia, Lithuania, Luxembourg, Malta, Netherlands, Norway, Poland, Portugal, Republic of North Macedonia, Romania, Serbia, Slovakia, Slovenia, Spain, Sweden, Switzerland, Turkey and United Kingdom.



EUROPEAN COMMITTEE FOR STANDARDIZATION
COMITÉ EUROPÉEN DE NORMALISATION
EUROPÄISCHES KOMITEE FÜR NORMUNG

CEN-CENELEC Management Centre: Rue de la Science 23, B-1040 Brussels

EN ISO 19650-5:2020 (E)

Contents	Page
European foreword.....	3

European foreword

This document (EN ISO 19650-5:2020) has been prepared by Technical Committee ISO/TC 59 "Buildings and civil engineering works" in collaboration with Technical Committee CEN/TC 442 "Building Information Modelling (BIM)" the secretariat of which is held by SN.

This European Standard shall be given the status of a national standard, either by publication of an identical text or by endorsement, at the latest by January 2021, and conflicting national standards shall be withdrawn at the latest by January 2021.

Attention is drawn to the possibility that some of the elements of this document may be the subject of patent rights. CEN shall not be held responsible for identifying any or all such patent rights.

According to the CEN-CENELEC Internal Regulations, the national standards organizations of the following countries are bound to implement this European Standard: Austria, Belgium, Bulgaria, Croatia, Cyprus, Czech Republic, Denmark, Estonia, Finland, France, Germany, Greece, Hungary, Iceland, Ireland, Italy, Latvia, Lithuania, Luxembourg, Malta, Netherlands, Norway, Poland, Portugal, Republic of North Macedonia, Romania, Serbia, Slovakia, Slovenia, Spain, Sweden, Switzerland, Turkey and the United Kingdom.

Endorsement notice

The text of ISO 19650-5:2020 has been approved by CEN as EN ISO 19650-5:2020 without any modification.

This page is intentionally left blank

INTERNATIONAL
STANDARD

ISO
19650-5

First edition
2020-06

**Organization and digitization of
information about buildings and civil
engineering works, including building
information modelling (BIM) —
Information management using
building information modelling —**

**Part 5:
Security-minded approach to
information management**

*Organisation et numérisation des informations relatives aux
bâtiments et ouvrages de génie civil, y compris modélisation des
informations de la construction (BIM) — Gestion de l'information par
la modélisation des informations de la construction —*

Partie 5: Approche de la gestion de l'information axée sur la sécurité



Reference number
ISO 19650-5:2020(E)

© ISO 2020

ISO 19650-5:2020(E)



COPYRIGHT PROTECTED DOCUMENT

© ISO 2020

All rights reserved. Unless otherwise specified, or required in the context of its implementation, no part of this publication may be reproduced or utilized otherwise in any form or by any means, electronic or mechanical, including photocopying, or posting on the internet or an intranet, without prior written permission. Permission can be requested from either ISO at the address below or ISO's member body in the country of the requester.

ISO copyright office
CP 401 • Ch. de Blandonnet 8
CH-1214 Vernier, Geneva
Phone: +41 22 749 01 11
Email: copyright@iso.org
Website: www.iso.org

Published in Switzerland

Contents

	Page
Foreword	v
Introduction	vi
1 Scope	1
2 Normative references	1
3 Terms and definitions	1
4 Establishing the need for a security-minded approach using a sensitivity assessment process	3
4.1 Undertaking a sensitivity assessment process.....	3
4.2 Understanding the range of security risks.....	4
4.3 Identifying organizational sensitivities.....	4
4.4 Establishing any third-party sensitivities.....	5
4.5 Recording the outcome of the sensitivity assessment.....	5
4.6 Reviewing the sensitivity assessment.....	5
4.7 Determining whether a security-minded approach is required.....	5
4.8 Recording the outcome of the application of the security triage process.....	6
4.9 Security-minded approach required.....	7
4.10 No security-minded approach required.....	7
5 Initiating the security-minded approach	7
5.1 Establishing governance, accountability and responsibility for the security-minded approach.....	7
5.2 Commencing the development of the security-minded approach.....	8
6 Developing a security strategy	9
6.1 General.....	9
6.2 Assessing the security risks.....	9
6.3 Developing security risk mitigation measures.....	10
6.4 Documenting residual and tolerated security risks.....	10
6.5 Review of the security strategy.....	11
7 Developing a security management plan	11
7.1 General.....	11
7.2 Provision of information to third parties.....	12
7.3 Logistical security.....	12
7.4 Managing accountability and responsibility for security.....	13
7.5 Monitoring and auditing.....	13
7.6 Review of the security management plan.....	13
8 Developing a security breach/incident management plan	14
8.1 General.....	14
8.2 Discovery of a security breach or incident.....	14
8.3 Containment and recovery.....	15
8.4 Review following a security breach or incident.....	15
9 Working with appointed parties	15
9.1 Working outside formal appointments.....	15
9.2 Measures contained in appointment documentation.....	16
9.3 Post appointment award.....	17
9.4 End of appointment.....	17
Annex A (informative) Information on the security context	18
Annex B (informative) Information on types of personnel, physical, and technical security controls and management of information security	20
Annex C (informative) Assessments relating to the provision of information to third parties	24
Annex D (informative) Information sharing agreements	26

ISO 19650-5:2020(E)

Bibliography **28**

Foreword

ISO (the International Organization for Standardization) is a worldwide federation of national standards bodies (ISO member bodies). The work of preparing International Standards is normally carried out through ISO technical committees. Each member body interested in a subject for which a technical committee has been established has the right to be represented on that committee. International organizations, governmental and non-governmental, in liaison with ISO, also take part in the work. ISO collaborates closely with the International Electrotechnical Commission (IEC) on all matters of electrotechnical standardization.

The procedures used to develop this document and those intended for its further maintenance are described in the ISO/IEC Directives, Part 1. In particular, the different approval criteria needed for the different types of ISO documents should be noted. This document was drafted in accordance with the editorial rules of the ISO/IEC Directives, Part 2 (see www.iso.org/directives).

Attention is drawn to the possibility that some of the elements of this document may be the subject of patent rights. ISO shall not be held responsible for identifying any or all such patent rights. Details of any patent rights identified during the development of the document will be in the Introduction and/or on the ISO list of patent declarations received (see www.iso.org/patents).

Any trade name used in this document is information given for the convenience of users and does not constitute an endorsement.

For an explanation of the voluntary nature of standards, the meaning of ISO specific terms and expressions related to conformity assessment, as well as information about ISO's adherence to the World Trade Organization (WTO) principles in the Technical Barriers to Trade (TBT), see www.iso.org/iso/foreword.html.

This document was prepared by Technical Committee ISO/TC 59, *Buildings and civil engineering works*, Subcommittee SC 13, *Organization and digitization of information about buildings and civil engineering works, including building information modelling (BIM)*, in collaboration with the European Committee for Standardization (CEN) Technical Committee CEN/TC 442 *Building Information Modelling (BIM)*, in accordance with the Agreement on technical cooperation between ISO and CEN (Vienna Agreement).

A list of all parts in the ISO 19650 series can be found on the ISO website.

Any feedback or questions on this document should be directed to the user's national standards body. A complete listing of these bodies can be found at www.iso.org/members.html.

ISO 19650-5:2020(E)

Introduction

The built environment is experiencing a period of rapid evolution. It is anticipated that the adoption of building information modelling (BIM) and the increasing use of digital technologies in the design, construction, manufacture, operation and management of assets or products, as well as the provision of services, within the built environment will have a transformative effect on the parties involved. It is likely that to increase effectiveness and efficiency, initiatives or projects that are developing new assets or solutions, or modifying or managing existing ones, must become more collaborative in nature. Such collaboration requires more transparent, open ways of working, and, as much as possible, the appropriate sharing and use of digital information.

The combined physical and digital built environment will need to deliver future fiscal, financial, functional, sustainability and growth objectives. This will have an impact on procurement, delivery and operational processes, including greater cross-discipline and sector collaboration. It will also lead to an increased use of digital tools and availability of information. The use of computer-based technologies is already supporting new ways of working, such as the development of off-site, factory-based fabrication and on-site automation. Sophisticated cyber-physical systems, by using sensors (the cyber or computation element) to control or influence physical parts of the system, are able to work in real-time to influence outcomes in the real world. It is anticipated that such systems will be used to achieve benefits such as increases in energy efficiency and better asset lifecycle management by capturing real-time information about asset use and condition. They can already be found in transportation, utilities, infrastructure, buildings, manufacturing, health care and defence, and when able to interact as integrated cyber-physical environments, can be used in the development of smart communities.

As a consequence of this increasing use of, and dependence on, information and communications technologies, there is a need to address inherent vulnerability issues, and therefore the security implications that arise, whether for built environments, assets, products, services, individuals or communities, as well as any associated information.

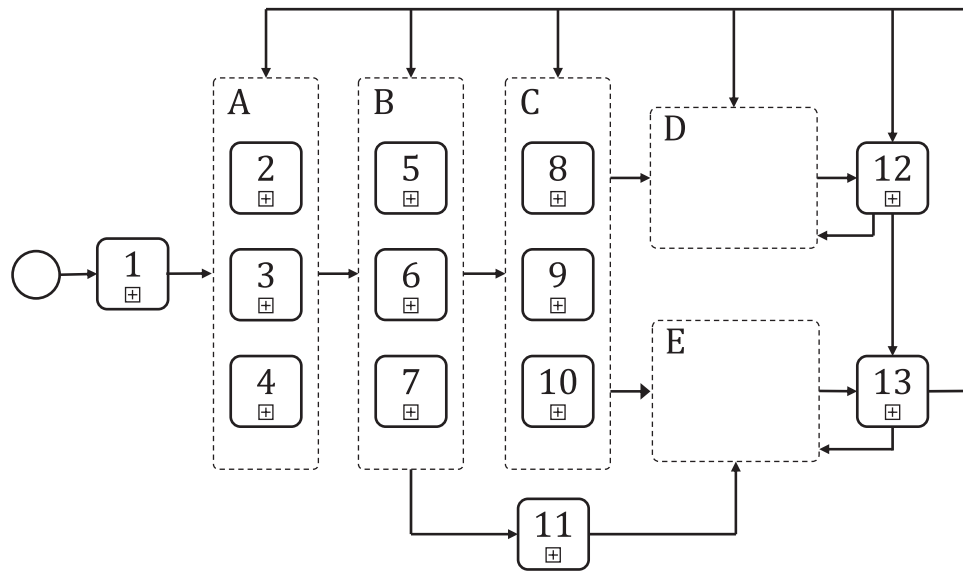
This document provides a framework to assist organizations in understanding the key vulnerability issues and the nature of the controls required to manage the resultant security risks to a level that is tolerable to the relevant parties. Its purpose is not in any way to undermine collaboration or the benefits that BIM, other collaborative work methods and digital technologies can generate.

The term organization captures not only appointing parties and appointed parties, as defined in ISO 19650-1, but also demand-side organizations who are not directly involved in an appointment.

Information security requirements for an individual organization, organizational department or system are set out in ISO/IEC 27001 but cannot be applied across multiple organizations. BIM and other digital collaborative work methods and technologies generally involve the collaborative sharing of information across a broad range of independent organizations within the built environment sector. Therefore, this document encourages the adoption of a security-minded, risk-based approach that can be applied across, as well as within, organizations. The appropriate and proportionate nature of the approach also has the benefit that measures should not prohibit the involvement of small and medium-sized enterprises in the delivery team.

The security-minded approach can be applied throughout the lifecycle of an initiative, project, asset, product or service, whether planned or existing, where sensitive information is obtained, created, processed and/or stored.

[Figure 1](#) shows the integration of this security-minded approach with other organizational strategies, policies, plans and information requirements for the digitally-enabled delivery of projects, and the maintenance and operation of assets, using BIM.



Key

- A coordinated and consistent strategies and policies
- B coordinated and consistent plans
- C coordinated and consistent information requirements
- D activities undertaken during the operational phase of assets
- E activities undertaken during the delivery phase of the asset (see also ISO 19650-2)
- 1 organizational plans and objectives
- 2 strategic asset management plan/policy (see ISO 55000)
- 3 security strategy
- 4 other organizational strategies and policy
- 5 asset management plan (see ISO 55000)
- 6 security management plan
- 7 other organizational plans
- 8 asset information requirements (AIR)
- 9 security information requirements (which form part of the security management plan)
- 10 organizational information requirements (OIR)
- 11 strategic business case and strategic brief
- 12 asset operational use
- 13 performance measurement and improvement actions

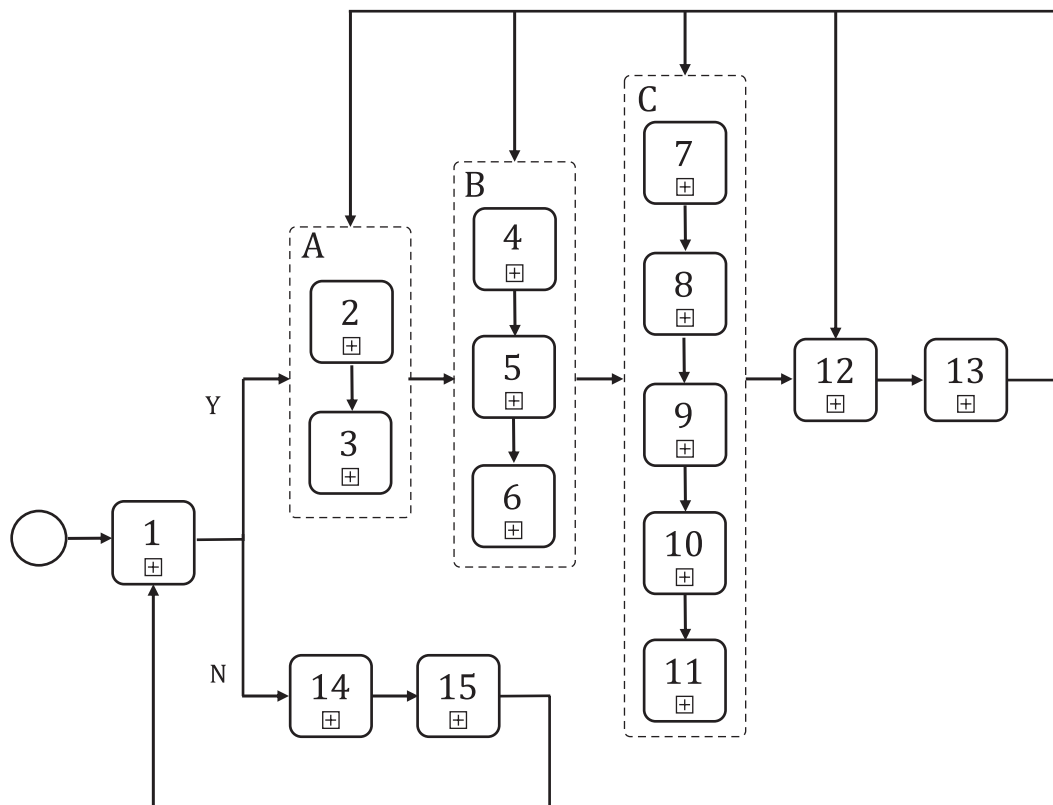
NOTE No order is implied by the numbering in A, B and C.

Figure 1 — The integration of the security-minded approach within the wider BIM process

NOTE Refer to ISO 19650-1 for concepts and principles including OIR and AIR to assist further understanding of security-mindedness within the context of the ISO 19650 series.

The process for deciding on the need for and, where appropriate, implementing a security-minded approach in relation information management is summarised in [Figure 2](#).

ISO 19650-5:2020(E)



Key

- A initiate a security-minded approach
- B develop a security strategy
- C develop a security management plan
- Y yes
- N no
- 1 determine, using the security triage process whether a security-minded approach is required
- 2 establish governance, accountability and responsibility arrangements for the security-minded approach
- 3 commence development of the security-minded approach
- 4 assess the security risks
- 5 develop security mitigation measures
- 6 document tolerated security risks
- 7 develop policies and processes to implement the security mitigation measures
- 8 develop security information requirements
- 9 develop requirements relating to provision of information to third parties
- 10 develop logistical security requirements
- 11 develop a security breach/incident management plan
- 12 work with appointed parties in and out of formal contracts to embed the security-minded approach, including the development of information sharing agreements where necessary
- 13 monitor, audit and review
- 14 protect any sensitive commercial and personal information (no other security-minded approach required)
- 15 review if there is change in the initiative, project, asset, product or service which may impact on its sensitivity

Figure 2 — The process for implementing the security-minded approach set out in this document

Implementation of the measures outlined in this document will assist in reducing the risk of the loss, misuse or modification of sensitive information that can impact on the safety, security and resilience of assets, products, the built environment, or the services provided by, from or through them. It will also assist in protecting against the loss, theft or disclosure of commercial information, personal information and intellectual property. Any such incidents can lead to significant reputational damage, impacting through lost opportunities and the diversion of resources to handle investigation, resolution and media activities, in addition to the disruption of, and delay to, day-to-day operational activities. Further, where incidents do occur and information has been made publicly available, it is virtually impossible to recover all of that information or to prevent ongoing distribution.

Organization and digitization of information about buildings and civil engineering works, including building information modelling (BIM) — Information management using building information modelling —

Part 5: Security-minded approach to information management

1 Scope

This document specifies the principles and requirements for security-minded information management at a stage of maturity described as “building information modelling (BIM) according to the ISO 19650 series”, and as defined in ISO 19650-1, as well as the security-minded management of sensitive information that is obtained, created, processed and stored as part of, or in relation to, any other initiative, project, asset, product or service.

It addresses the steps required to create and cultivate an appropriate and proportionate security mindset and culture across organizations with access to sensitive information, including the need to monitor and audit compliance.

The approach outlined is applicable throughout the lifecycle of an initiative, project, asset, product or service, whether planned or existing, where sensitive information is obtained, created, processed and/or stored.

This document is intended for use by any organization involved in the use of information management and technologies in the creation, design, construction, manufacture, operation, management, modification, improvement, demolition and/or recycling of assets or products, as well as the provision of services, within the built environment. It will also be of interest and relevance to those organizations wishing to protect their commercial information, personal information and intellectual property.

2 Normative references

The following documents are referred to in the text in such a way that some or all of their content constitutes requirements of this document. For dated references, only the edition cited applies. For undated references, the latest edition of the referenced document (including any amendments) applies.

ISO 19650-2, *Organization and digitization of information about buildings and civil engineering works, including building information modelling (BIM) — Information management using building information modelling — Part 2: Delivery phase of the assets*

ISO 19650-3¹⁾, *Organization and digitization of information about buildings and civil engineering works, including building information modelling (BIM) — Information management using building information modelling — Part 3: Operational phase of assets*

3 Terms and definitions

For the purposes of this document, the following terms and definitions apply.

1) Under preparation. Stage at the time of publication: ISO/FDIS 19650-3:2020.

This is a free preview. Purchase the entire publication at the link below:

[Product Page](#)

-
- [Looking for additional Standards? Visit Intertek Inform Infostore](#)
 - [Learn about LexConnect, All Jurisdictions, Standards referenced in Australian legislation](#)
-