



**NSAI**  
Standards

Irish Standard  
I.S. EN IEC 63171:2021

Connectors for electrical and electronic equipment - Shielded or unshielded free and fixed connectors for balanced single-pair data transmission with current-carrying capacity - General requirements and tests

**I.S. EN IEC 63171:2021**

*Incorporating amendments/corrigenda/National Annexes issued since publication:*

The National Standards Authority of Ireland (NSAI) produces the following categories of formal documents:

I.S. xxx: Irish Standard — national specification based on the consensus of an expert panel and subject to public consultation.

S.R. xxx: Standard Recommendation — recommendation based on the consensus of an expert panel and subject to public consultation.

SWiFT xxx: A rapidly developed recommendatory document based on the consensus of the participants of an NSAI workshop.

*This document replaces/revises/consolidates the NSAI adoption of the document(s) indicated on the CEN/CENELEC cover/Foreword and the following National document(s):*

*NOTE: The date of any NSAI previous adoption may not match the date of its original CEN/CENELEC document.*

*This document is based on:*

EN IEC 63171:2021

*Published:*

2021-04-16

*This document was published under the authority of the NSAI and comes into effect on:*

2021-05-03

ICS number:

NOTE: If blank see CEN/CENELEC cover page

NSAI  
1 Swift Square,  
Northwood, Santry  
Dublin 9

T +353 1 807 3800  
F +353 1 807 3838  
E standards@nsai.ie  
W NSAI.ie

Sales:  
T +353 1 857 6730  
F +353 1 857 6729  
W standards.ie

Údarás um Chaighdeán Náisiúnta na hÉireann

## National Foreword

I.S. EN IEC 63171:2021 is the adopted Irish version of the European Document EN IEC 63171:2021, Connectors for electrical and electronic equipment - Shielded or unshielded free and fixed connectors for balanced single-pair data transmission with current-carrying capacity - General requirements and tests

This document does not purport to include all the necessary provisions of a contract. Users are responsible for its correct application.

For relationships with other publications refer to the NSAI web store.

**Compliance with this document does not of itself confer immunity from legal obligations.**

*In line with international standards practice the decimal point is shown as a comma (,) throughout this document.*

This page is intentionally left blank

EUROPEAN STANDARD

**EN IEC 63171**

NORME EUROPÉENNE

EUROPÄISCHE NORM

April 2021

ICS 31.220.10

English Version

**Connectors for electrical and electronic equipment - Shielded or unshielded free and fixed connectors for balanced single-pair data transmission with current-carrying capacity - General requirements and tests  
(IEC 63171:2021)**

Connecteurs pour équipements électriques et électroniques  
- Fiches et embases écrantées ou non écrantées pour transmission de données sur une seule paire symétrique avec courant admissible - Exigences générales et essais  
(IEC 63171:2021)

Steckverbinder für elektrische und elektronische Geräte - Geschirmte oder ungeschirmte freie und feste Steckverbinder für symmetrische einpaarige Datenübertragung mit Stromtragfähigkeit; Allgemeine Anforderungen und Prüfungen  
(IEC 63171:2021)

This European Standard was approved by CENELEC on 2021-04-15. CENELEC members are bound to comply with the CEN/CENELEC Internal Regulations which stipulate the conditions for giving this European Standard the status of a national standard without any alteration.

Up-to-date lists and bibliographical references concerning such national standards may be obtained on application to the CEN-CENELEC Management Centre or to any CENELEC member.

This European Standard exists in three official versions (English, French, German). A version in any other language made by translation under the responsibility of a CENELEC member into its own language and notified to the CEN-CENELEC Management Centre has the same status as the official versions.

CENELEC members are the national electrotechnical committees of Austria, Belgium, Bulgaria, Croatia, Cyprus, the Czech Republic, Denmark, Estonia, Finland, France, Germany, Greece, Hungary, Iceland, Ireland, Italy, Latvia, Lithuania, Luxembourg, Malta, the Netherlands, Norway, Poland, Portugal, Republic of North Macedonia, Romania, Serbia, Slovakia, Slovenia, Spain, Sweden, Switzerland, Turkey and the United Kingdom.



European Committee for Electrotechnical Standardization  
Comité Européen de Normalisation Electrotechnique  
Europäisches Komitee für Elektrotechnische Normung

**CEN-CENELEC Management Centre: Rue de la Science 23, B-1040 Brussels**

## **EN IEC 63171:2021 (E)**

### **European foreword**

The text of document 48B/2863/FDIS, future edition 1 of IEC 63171, prepared by SC 48B "Electrical connectors" of IEC/TC 48 "Electrical connectors and mechanical structures for electrical and electronic equipment" was submitted to the IEC-CENELEC parallel vote and approved by CENELEC as EN IEC 63171:2021.

The following dates are fixed:

- latest date by which the document has to be implemented at national level by publication of an identical national standard or by endorsement (dop) 2022-01-15
- latest date by which the national standards conflicting with the document have to be withdrawn (dow) 2024-04-15

Attention is drawn to the possibility that some of the elements of this document may be the subject of patent rights. CENELEC shall not be held responsible for identifying any or all such patent rights.

### **Endorsement notice**

The text of the International Standard IEC 63171:2021 was approved by CENELEC as a European Standard without any modification.

In the official version, for Bibliography, the following notes have to be added for the standards indicated:

IEC 60603-7 (series) NOTE Harmonized as EN 60603-7 (series)

IEC 61076-2-101 NOTE Harmonized as EN 61076-2-101

IEC 61076-2-104 NOTE Harmonized as EN 61076-2-104

## Annex ZA (normative)

### Normative references to international publications with their corresponding European publications

The following documents are referred to in the text in such a way that some or all of their content constitutes requirements of this document. For dated references, only the edition cited applies. For undated references, the latest edition of the referenced document (including any amendments) applies.

NOTE 1 Where an International Publication has been modified by common modifications, indicated by (mod), the relevant EN/HD applies.

NOTE 2 Up-to-date information on the latest versions of the European Standards listed in this annex is available here: [www.cenelec.eu](http://www.cenelec.eu).

<u>Publication</u>	<u>Year</u>	<u>Title</u>	<u>EN/HD</u>	<u>Year</u>
IEC 60050-581	-	International Electrotechnical Vocabulary - Part 581: Electromechanical components for electronic equipment	-	-
IEC 60068-1	2013	Environmental testing - Part 1: General and guidance	EN 60068-1	2014
IEC 60512-1	-	Connectors for electrical and electronic equipment - Tests and measurements - Part 1: Generic specification	EN IEC 60512-1	-
IEC 60512-1-1	-	Connectors for electronic equipment - Tests and measurements - Part 1-1: General examination - Test 1a: Visual examination	EN 60512-1-1	-
IEC 60512-2-1	-	Connectors for electronic equipment - Tests and measurements - Part 2-1: Electrical continuity and contact resistance tests - Test 2a: Contact resistance - Millivolt level method	EN 60512-2-1	-
IEC 60512-2-5	-	Connectors for electronic equipment - Tests and measurements - Part 2-5: Electrical continuity and contact resistance tests - Test 2e: Contact disturbance	EN 60512-2-5	-
IEC 60512-3-1	-	Connectors for electronic equipment - Tests and measurements - Part 3-1: Insulation tests - Test 3a: Insulation resistance	EN 60512-3-1	-
IEC 60512-4-1	-	Connectors for electronic equipment - Tests and measurements - Part 4-1: Voltage stress tests - Test 4a: Voltage proof	EN 60512-4-1	-

## EN IEC 63171:2021 (E)

<u>Publication</u>	<u>Year</u>	<u>Title</u>	<u>EN/HD</u>	<u>Year</u>
IEC 60512-5-2	-	Connectors for electronic equipment - Tests and measurements - Part 5-2: Current-carrying capacity tests - Test 5b: Current-temperature derating	EN 60512-5-2	-
IEC 60512-6-4	-	Connectors for electronic equipment - Tests and measurements - Part 6-4: Dynamic stress tests - Test 6d: Vibration (sinusoidal)	EN 60512-6-4	-
IEC 60512-9-1	-	Connectors for electronic equipment - Tests and measurements - Part 9-1: Endurance tests - Test 9a: Mechanical operation	EN 60512-9-1	-
IEC 60512-9-2	-	Connectors for electronic equipment - Tests and measurements - Part 9-2: Endurance tests - Test 9b: Electrical load and temperature	EN 60512-9-2	-
IEC 60512-11-4	-	Connectors for electronic equipment - Tests and measurements - Part 11-4: Climatic tests - Test 11d: Rapid change of temperature	EN 60512-11-4	-
IEC 60512-11-7	-	Connectors for electronic equipment - Tests and measurements - Part 11-7: Climatic tests - Test 11g: Flowing mixed gas corrosion test	EN 60512-11-7	-
IEC 60512-11-12	-	Connectors for electronic equipment - Tests and measurements - Part 11-12: Climatic tests - Test 11m: Damp heat, cyclic	EN 60512-11-12	-
IEC 60512-13-2	-	Connectors for electronic equipment - Tests and measurements - Part 13-2: Mechanical operation tests - Test 13b: Insertion and withdrawal forces	EN 60512-13-2	-
IEC 60512-15-6	-	Connectors for electronic equipment - Tests and measurements - Part 15-6: Connector tests (mechanical) - Test 15f: Effectiveness of connector coupling devices	EN 60512-15-6	-
IEC 60512-25-9	-	Connectors for electronic equipment - Tests and measurements - Part 25-9: Signal integrity tests - Test 25i: Alien crosstalk	EN 60512-25-9	-
IEC 60512-26-100	-	Connectors for electronic equipment - Tests and measurements - Part 26-100: Measurement setup, test and reference arrangements and measurements for connectors according to IEC 60603-7 - Tests 26a to 26g	EN 60512-26-100	-
IEC 60512-28-100	-	Connectors for electrical and electronic equipment - Tests and measurements - Part 28-100: Signal integrity tests up to 2 000 MHz - Tests 28a to 28g	EN IEC 60512-28-100	-



<u>Publication</u>	<u>Year</u>	<u>Title</u>	<u>EN/HD</u>	<u>Year</u>
IEC 60664-1	-	Insulation coordination for equipment within low-voltage supply systems - Part 1: Principles, requirements and tests	EN IEC 60664-1	-
IEC 62153-4-9:2018/ A1	2020	Metallic communication cable test methods - Part 4-9: Electromagnetic compatibility (EMC) - Coupling attenuation of screened balanced cables, triaxial method	-	-
IEC 62153-4-15	-	Metallic communication cable test methods - Part 4-15: Electromagnetic compatibility (EMC) - Test method for measuring transfer impedance and screening attenuation - or coupling attenuation with triaxial cell	-	-
IEC/TR 63040	2016	Guidance on clearances and creepage distances in particular for distances equal to or less than 2 mm - Test results of research on influencing parameters	-	-
ISO/IEC 11801-1	-	Information technology - Generic cabling for customer premises - Part 1: General requirements	-	-

This page is intentionally left blank



**IEC 63171**

Edition 1.0 2021-03

# **INTERNATIONAL STANDARD**

# **NORME INTERNATIONALE**



**Connectors for electrical and electronic equipment – Shielded or unshielded free and fixed connectors for balanced single-pair data transmission with current-carrying capacity – General requirements and tests**

**Connecteurs pour équipements électriques et électroniques – Fiches et embases écrantées ou non écrantées pour transmission de données sur une seule paire symétrique avec courant admissible – Exigences générales et essais**



## THIS PUBLICATION IS COPYRIGHT PROTECTED

Copyright © 2021 IEC, Geneva, Switzerland

All rights reserved. Unless otherwise specified, no part of this publication may be reproduced or utilized in any form or by any means, electronic or mechanical, including photocopying and microfilm, without permission in writing from either IEC or IEC's member National Committee in the country of the requester. If you have any questions about IEC copyright or have an enquiry about obtaining additional rights to this publication, please contact the address below or your local IEC member National Committee for further information.

Droits de reproduction réservés. Sauf indication contraire, aucune partie de cette publication ne peut être reproduite ni utilisée sous quelque forme que ce soit et par aucun procédé, électronique ou mécanique, y compris la photocopie et les microfilms, sans l'accord écrit de l'IEC ou du Comité national de l'IEC du pays du demandeur. Si vous avez des questions sur le copyright de l'IEC ou si vous désirez obtenir des droits supplémentaires sur cette publication, utilisez les coordonnées ci-après ou contactez le Comité national de l'IEC de votre pays de résidence.

IEC Central Office  
3, rue de Varembe  
CH-1211 Geneva 20  
Switzerland

Tel.: +41 22 919 02 11  
[info@iec.ch](mailto:info@iec.ch)  
[www.iec.ch](http://www.iec.ch)

### About the IEC

The International Electrotechnical Commission (IEC) is the leading global organization that prepares and publishes International Standards for all electrical, electronic and related technologies.

### About IEC publications

The technical content of IEC publications is kept under constant review by the IEC. Please make sure that you have the latest edition, a corrigendum or an amendment might have been published.

#### IEC publications search - [webstore.iec.ch/advsearchform](http://webstore.iec.ch/advsearchform)

The advanced search enables to find IEC publications by a variety of criteria (reference number, text, technical committee, ...). It also gives information on projects, replaced and withdrawn publications.

#### IEC Just Published - [webstore.iec.ch/justpublished](http://webstore.iec.ch/justpublished)

Stay up to date on all new IEC publications. Just Published details all new publications released. Available online and once a month by email.

#### IEC Customer Service Centre - [webstore.iec.ch/csc](http://webstore.iec.ch/csc)

If you wish to give us your feedback on this publication or need further assistance, please contact the Customer Service Centre: [sales@iec.ch](mailto:sales@iec.ch).

#### IEC online collection - [oc.iec.ch](http://oc.iec.ch)

Discover our powerful search engine and read freely all the publications previews. With a subscription you will always have access to up to date content tailored to your needs.

#### Electropedia - [www.electropedia.org](http://www.electropedia.org)

The world's leading online dictionary on electrotechnology, containing more than 22 000 terminological entries in English and French, with equivalent terms in 18 additional languages. Also known as the International Electrotechnical Vocabulary (IEV) online.

### A propos de l'IEC

La Commission Electrotechnique Internationale (IEC) est la première organisation mondiale qui élabore et publie des Normes internationales pour tout ce qui a trait à l'électricité, à l'électronique et aux technologies apparentées.

### A propos des publications IEC

Le contenu technique des publications IEC est constamment revu. Veuillez vous assurer que vous possédez l'édition la plus récente, un corrigendum ou amendement peut avoir été publié.

#### Recherche de publications IEC -

[webstore.iec.ch/advsearchform](http://webstore.iec.ch/advsearchform)

La recherche avancée permet de trouver des publications IEC en utilisant différents critères (numéro de référence, texte, comité d'études, ...). Elle donne aussi des informations sur les projets et les publications remplacées ou retirées.

#### IEC Just Published - [webstore.iec.ch/justpublished](http://webstore.iec.ch/justpublished)

Restez informé sur les nouvelles publications IEC. Just Published détaille les nouvelles publications parues. Disponible en ligne et une fois par mois par email.

#### Service Clients - [webstore.iec.ch/csc](http://webstore.iec.ch/csc)

Si vous désirez nous donner des commentaires sur cette publication ou si vous avez des questions contactez-nous: [sales@iec.ch](mailto:sales@iec.ch).

#### IEC online collection - [oc.iec.ch](http://oc.iec.ch)

Découvrez notre puissant moteur de recherche et consultez gratuitement tous les aperçus des publications. Avec un abonnement, vous aurez toujours accès à un contenu à jour adapté à vos besoins.

#### Electropedia - [www.electropedia.org](http://www.electropedia.org)

Le premier dictionnaire d'électrotechnologie en ligne au monde, avec plus de 22 000 articles terminologiques en anglais et en français, ainsi que les termes équivalents dans 16 langues additionnelles. Egalement appelé Vocabulaire Electrotechnique International (IEV) en ligne.



**IEC 63171**

Edition 1.0 2021-03

# **INTERNATIONAL STANDARD**

# **NORME INTERNATIONALE**



---

**Connectors for electrical and electronic equipment – Shielded or unshielded free and fixed connectors for balanced single-pair data transmission with current-carrying capacity – General requirements and tests**

**Connecteurs pour équipements électriques et électroniques – Fiches et embases écrantées ou non écrantées pour transmission de données sur une seule paire symétrique avec courant admissible – Exigences générales et essais**

INTERNATIONAL  
ELECTROTECHNICAL  
COMMISSION

COMMISSION  
ELECTROTECHNIQUE  
INTERNATIONALE

---

ICS 31.220.10

ISBN 978-2-8322-9508-3

**Warning! Make sure that you obtained this publication from an authorized distributor.  
Attention! Veuillez vous assurer que vous avez obtenu cette publication via un distributeur agréé.**

## CONTENTS

FOREWORD.....	4
INTRODUCTION.....	6
1 Scope.....	7
2 Normative references .....	7
3 Terms and definitions .....	9
4 Common features and typical connector pair .....	9
5 Characteristics .....	9
5.1 General.....	9
5.2 Pin assignment .....	9
5.3 Classification into climatic category .....	9
5.4 Electrical characteristics .....	10
5.4.1 Creepage and clearance distances .....	10
5.4.2 Voltage proof.....	10
5.4.3 Current-temperature derating.....	11
5.4.4 Interface contact resistance – initial only .....	12
5.4.5 Input to output DC resistance .....	12
5.4.6 Input to output DC resistance unbalance .....	13
5.4.7 Initial insulation resistance .....	13
5.5 Transmission characteristics .....	13
5.5.1 General .....	13
5.5.2 Insertion loss .....	13
5.5.3 Return loss .....	14
5.5.4 Propagation delay.....	14
5.5.5 Transverse conversion loss .....	14
5.5.6 Transverse conversion transfer loss .....	15
5.5.7 Transfer impedance (shielded only) .....	15
5.5.8 Coupling attenuation.....	15
5.5.9 Power sum alien (exogenous) NEXT.....	16
5.5.10 Power sum alien (exogenous) FEXT .....	16
5.6 Mechanical characteristics .....	17
5.6.1 Mechanical operation.....	17
5.6.2 Effectiveness of connector coupling devices .....	18
5.6.3 Insertion and withdrawal forces .....	18
5.6.4 Polarizing method.....	19
5.6.5 Dynamic stress .....	19
6 Tests and test schedule.....	19
6.1 General.....	19
6.2 Example of input to output resistance measurement.....	20
6.3 Example of arrangement for contact resistance measurement.....	21
6.4 Arrangement for vibration test (test phase CP).....	21
6.5 Test procedures and measuring methods.....	22
6.6 Preconditioning.....	22
6.7 Test schedules.....	22
6.7.1 General .....	22
6.7.2 Basic (minimum) test schedule .....	22
6.7.3 Full test schedule .....	22

Bibliography.....	35
Figure 1 – Relationships between the IEC 63171 series and their related references.....	6
Figure 2 – Example of front view of fixed connector pin assignment.....	9
Figure 3 – Level I connector de-rating curve .....	11
Figure 4 – Level II connector de-rating curve .....	12
Figure 5 – Example of input to output resistance measurement arrangement.....	20
Figure 6 – Example of arrangement for contact resistance measurement.....	21
Table 1 – Maximum insertion loss .....	14
Table 2 – Minimum return loss .....	14
Table 3 – Minimum transverse conversion loss .....	15
Table 4 – Minimum transverse conversion transfer loss .....	15
Table 5 – Minimum coupling attenuation .....	16
Table 6 – Minimum power sum alien near end crosstalk (PS ANEXT) .....	16
Table 7 – Minimum power sum alien far end crosstalk (PS AFEXT) .....	17
Table 8 – Preferred values for the number of mating cycles .....	18
Table 9 – Minimum pull-out force .....	18
Table 10 – Test group P .....	23
Table 11 – Test group AP .....	24
Table 12 – Test group BP .....	27
Table 13 – Test group CP .....	28
Table 14 – Test group DP .....	30
Table 15 – Test group EP .....	32
Table 16 – Test group FP .....	34
Table 17 – Test group GP .....	34

## INTERNATIONAL ELECTROTECHNICAL COMMISSION

**CONNECTORS FOR ELECTRICAL AND ELECTRONIC EQUIPMENT –  
SHIELDED OR UNSHIELDED FREE AND FIXED CONNECTORS  
FOR BALANCED SINGLE-PAIR DATA TRANSMISSION  
WITH CURRENT-CARRYING CAPACITY –  
GENERAL REQUIREMENTS AND TESTS**

## FOREWORD

- 1) The International Electrotechnical Commission (IEC) is a worldwide organization for standardization comprising all national electrotechnical committees (IEC National Committees). The object of IEC is to promote international co-operation on all questions concerning standardization in the electrical and electronic fields. To this end and in addition to other activities, IEC publishes International Standards, Technical Specifications, Technical Reports, Publicly Available Specifications (PAS) and Guides (hereafter referred to as "IEC Publication(s)"). Their preparation is entrusted to technical committees; any IEC National Committee interested in the subject dealt with may participate in this preparatory work. International, governmental and non-governmental organizations liaising with the IEC also participate in this preparation. IEC collaborates closely with the International Organization for Standardization (ISO) in accordance with conditions determined by agreement between the two organizations.
- 2) The formal decisions or agreements of IEC on technical matters express, as nearly as possible, an international consensus of opinion on the relevant subjects since each technical committee has representation from all interested IEC National Committees.
- 3) IEC Publications have the form of recommendations for international use and are accepted by IEC National Committees in that sense. While all reasonable efforts are made to ensure that the technical content of IEC Publications is accurate, IEC cannot be held responsible for the way in which they are used or for any misinterpretation by any end user.
- 4) In order to promote international uniformity, IEC National Committees undertake to apply IEC Publications transparently to the maximum extent possible in their national and regional publications. Any divergence between any IEC Publication and the corresponding national or regional publication shall be clearly indicated in the latter.
- 5) IEC itself does not provide any attestation of conformity. Independent certification bodies provide conformity assessment services and, in some areas, access to IEC marks of conformity. IEC is not responsible for any services carried out by independent certification bodies.
- 6) All users should ensure that they have the latest edition of this publication.
- 7) No liability shall attach to IEC or its directors, employees, servants or agents including individual experts and members of its technical committees and IEC National Committees for any personal injury, property damage or other damage of any nature whatsoever, whether direct or indirect, or for costs (including legal fees) and expenses arising out of the publication, use of, or reliance upon, this IEC Publication or any other IEC Publications.
- 8) Attention is drawn to the Normative references cited in this publication. Use of the referenced publications is indispensable for the correct application of this publication.
- 9) Attention is drawn to the possibility that some of the elements of this IEC Publication may be the subject of patent rights. IEC shall not be held responsible for identifying any or all such patent rights.

International Standard IEC 63171 has been prepared by subcommittee 48B: Electrical connectors of IEC technical committee 48: Electrical connectors and mechanical structures for electrical and electronic equipment.

The text of this International Standard is based on the following documents:

FDIS	Report on voting
48B/2863/FDIS	48B/2866/RVD

Full information on the voting for the approval of this International Standard can be found in the report on voting indicated in the above table.

This document has been drafted in accordance with the ISO/IEC Directives, Part 2.



The committee has decided that the contents of this document will remain unchanged until the stability date indicated on the IEC website under "<http://webstore.iec.ch>" in the data related to the specific document. At this date, the document will be

- reconfirmed,
- withdrawn,
- replaced by a revised edition, or
- amended.

**IMPORTANT – The "colour inside" logo on the cover page of this document indicates that it contains colours which are considered to be useful for the correct understanding of its contents. Users should therefore print this document using a colour printer.**

## INTRODUCTION

The IEC 63171 series is a set of International Standards covering shielded or unshielded free and fixed connectors for balanced single-pair data transmission with current carrying capacity.

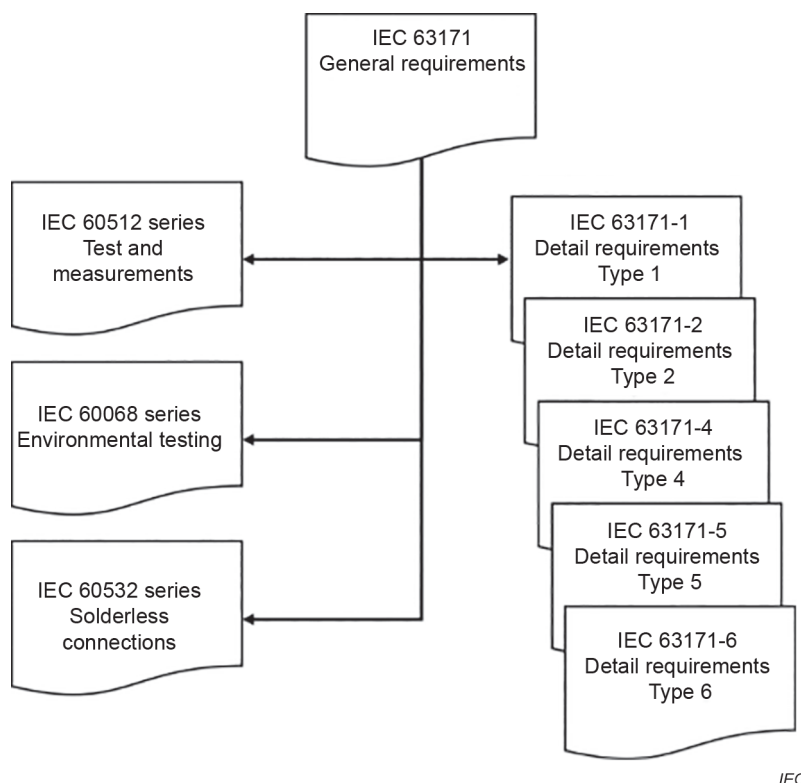
This document, identified as IEC 63171, is the general requirements and tests part (general specification) of the whole series. Subsequent parts, identified as IEC 63171 followed by a dash and a progressive number starting with 1, are the product detail specifications of this series and do not duplicate information given in this document, but list only additional requirements.

Each subsequent part is identified by a type of connector covered with the same number identifying the part. Some parts can describe more than connector geometries (rectangular, circular), sharing the core element and the relevant features.

For the complete specifications regarding a connector of this series, both this general specification and the relevant detail specification are therefore required.

For the qualification of a connector of this series, both this general specification and the relevant detail specification shall be met.

Figure 1 shows the interrelation of the standards:



**Figure 1 – Relationships between the IEC 63171 series and their related references**

NOTE IEC 63171-1 and IEC 63171-6 contain duplicate information, which is either equal to or better than the minimum requirements of this document; such duplicate information is due to be removed in later editions.

# CONNECTORS FOR ELECTRICAL AND ELECTRONIC EQUIPMENT – SHIELDED OR UNSHIELDED FREE AND FIXED CONNECTORS FOR BALANCED SINGLE-PAIR DATA TRANSMISSION WITH CURRENT-CARRYING CAPACITY – GENERAL REQUIREMENTS AND TESTS

## 1 Scope

This document covers shielded and unshielded free and fixed connectors, circular or rectangular, for balanced single-pair data transmission, with current-carrying capacity.

It specifies the IEC 63171 series' common mechanical, electrical and transmission characteristics and environmental requirements, as well as required test specifications.

This document does not describe a specific mating interface. Detail specifications of mating interfaces complying with this document can be found in the family of detail specification standards IEC 63171-X (type X).

Within their own type, the shielded and unshielded connectors are interoperable for their transmission performance and can be exchanged; though the shielded version has improved alien crosstalk and coupling attenuation properties.

## 2 Normative references

The following documents are referred to in the text in such a way that some or all of their content constitutes requirements of this document. For dated references, only the edition cited applies. For undated references, the latest edition of the referenced document (including any amendments) applies.

IEC 60050-581, *International Electrotechnical Vocabulary (IEV) – Part 581: Electromechanical components for electronic equipment*

IEC 60068-1:2013, *Environmental testing – Part 1: General and guidance*

IEC 60512-1, *Connectors for electrical and electronic equipment – Tests and measurements – Part 1: Generic specification*

IEC 60512-1-1, *Connectors for electronic equipment – Tests and measurements – Part 1-1: General examination – Test 1a: Visual examination*

IEC 60512-2-1, *Connectors for electronic equipment – Tests and measurements – Part 2-1: Electrical continuity and contact resistance tests – Test 2a: Contact resistance – Millivolt level method*

IEC 60512-2-5, *Connectors for electronic equipment – Tests and measurements – Part 2-5: Electrical continuity and contact resistance tests – Test 2e: Contact disturbance*

IEC 60512-3-1, *Connectors for electronic equipment – Tests and measurements – Part 3-1: Insulation tests – Test 3a: Insulation resistance*

IEC 60512-4-1, *Connectors for electronic equipment – Tests and measurements – Part 4-1: Voltage stress tests – Test 4a: Voltage proof*

This is a free preview. Purchase the entire publication at the link below:

[Product Page](#)

- 
- [Looking for additional Standards? Visit Intertek Inform Infostore](#)
  - [Learn about LexConnect, All Jurisdictions, Standards referenced in Australian legislation](#)
-