



NSAI
Standards

Irish Standard
I.S. EN 60603-7:2009

Connectors for electronic equipment --
Part 7: Detail specification for 8-way,
unshielded, free and fixed connectors
(IEC 60603-7:2008 (EQV))

I.S. EN 60603-7:2009

Incorporating amendments/corrigenda issued since publication:

EN 60603-7:2009/A1:2011

The National Standards Authority of Ireland (NSAI) produces the following categories of formal documents:

I.S. xxx: Irish Standard – national specification based on the consensus of an expert panel and subject to public consultation.

S.R. xxx: Standard Recommendation - recommendation based on the consensus of an expert panel and subject to public consultation.

SWiFT xxx: A rapidly developed recommendatory document based on the consensus of the participants of an NSAI workshop.

<i>This document replaces:</i> EN 60603-7:1997	<i>This document is based on:</i> EN 60603-7:2009 EN 60603-7:1997	<i>Published:</i> 19 November, 2009 9 January, 1997
This document was published under the authority of the NSAI and comes into effect on: 31 December, 2009		ICS number: 31.220.10
NSAI 1 Swift Square, Northwood, Santry Dublin 9	T +353 1 807 3800 F +353 1 807 3838 E standards@nsai.ie W NSAI.ie	Sales: T +353 1 857 6730 F +353 1 857 6729 W standards.ie
Údarás um Chaighdeáin Náisiúnta na hÉireann		

EUROPEAN STANDARD

EN 60603-7/A1

NORME EUROPÉENNE

EUROPÄISCHE NORM

November 2011

ICS 31.220.01

English version

**Connectors for electronic equipment -
Part 7: Detail specification for 8-way, unshielded,
free and fixed connectors
(IEC 60603-7:2008/A1:2011)**

Connecteurs pour équipements
électroniques -
Partie 7: Spécification particulière
pour les fiches et les embases
non écrantées à 8 voies
(CEI 60603-7:2008/A1:2011)

Steckverbinder für elektronische
Einrichtungen -
Teil 7: Bauartspezifikation für
ungeschirmte freie und feste
Steckverbinder, 8polig
(IEC 60603-7:2008/A1:2011)

This amendment A1 modifies the European Standard EN 60603-7:2009; it was approved by CENELEC on 2011-11-03. CENELEC members are bound to comply with the CEN/CENELEC Internal Regulations which stipulate the conditions for giving this amendment the status of a national standard without any alteration.

Up-to-date lists and bibliographical references concerning such national standards may be obtained on application to the CEN-CENELEC Management Centre or to any CENELEC member.

This amendment exists in three official versions (English, French, German). A version in any other language made by translation under the responsibility of a CENELEC member into its own language and notified to the CEN-CENELEC Management Centre has the same status as the official versions.

CENELEC members are the national electrotechnical committees of Austria, Belgium, Bulgaria, Croatia, Cyprus, the Czech Republic, Denmark, Estonia, Finland, France, Germany, Greece, Hungary, Iceland, Ireland, Italy, Latvia, Lithuania, Luxembourg, Malta, the Netherlands, Norway, Poland, Portugal, Romania, Slovakia, Slovenia, Spain, Sweden, Switzerland and the United Kingdom.

CENELEC

European Committee for Electrotechnical Standardization
Comité Européen de Normalisation Electrotechnique
Europäisches Komitee für Elektrotechnische Normung

Management Centre: Avenue Marnix 17, B - 1000 Brussels

I.S. EN 60603-7:2009

EN 60603-7:2009/A1:2011

- 2 -

Foreword

The text of document 48B/2145/CDV, future edition 3 of IEC 60603-7:2008/A1, prepared by SC 48B, "Connectors", of IEC/TC 48, "Electromechanical components and mechanical structures for electronic equipment" was submitted to the IEC-CENELEC parallel vote and approved by CENELEC as EN 60603-7:2009/A1:2011.

The following dates are fixed:

- latest date by which the document has to be implemented at national level by publication of an identical national standard or by endorsement (dop) 2012-08-03
- latest date by which the national standards conflicting with the document have to be withdrawn (dow) 2014-11-03

Attention is drawn to the possibility that some of the elements of this document may be the subject of patent rights. CENELEC [and/or CEN] shall not be held responsible for identifying any or all such patent rights.

Endorsement notice

The text of the International Standard IEC 60603-7:2008/A1:2011 was approved by CENELEC as a European Standard without any modification.

English version

**Connectors for electronic equipment -
Part 7: Detail specification for 8-way, unshielded,
free and fixed connectors
(IEC 60603-7:2008)**

Connecteurs pour équipements
électroniques -
Partie 7: Spécification particulière
pour les fiches et les embases
non écrantées à 8 voies
(CEI 60603-7:2008)

Steckverbinder für elektronische
Einrichtungen -
Teil 7: Bauartspezifikation
für ungeschirmte freie und feste
Steckverbinder, 8polig
(IEC 60603-7:2008)

This European Standard was approved by CENELEC on 2009-09-01. CENELEC members are bound to comply with the CEN/CENELEC Internal Regulations which stipulate the conditions for giving this European Standard the status of a national standard without any alteration.

Up-to-date lists and bibliographical references concerning such national standards may be obtained on application to the Central Secretariat or to any CENELEC member.

This European Standard exists in three official versions (English, French, German). A version in any other language made by translation under the responsibility of a CENELEC member into its own language and notified to the Central Secretariat has the same status as the official versions.

CENELEC members are the national electrotechnical committees of Austria, Belgium, Bulgaria, Cyprus, the Czech Republic, Denmark, Estonia, Finland, France, Germany, Greece, Hungary, Iceland, Ireland, Italy, Latvia, Lithuania, Luxembourg, Malta, the Netherlands, Norway, Poland, Portugal, Romania, Slovakia, Slovenia, Spain, Sweden, Switzerland and the United Kingdom.

CENELEC

European Committee for Electrotechnical Standardization
Comité Européen de Normalisation Electrotechnique
Europäisches Komitee für Elektrotechnische Normung

Central Secretariat: Avenue Marnix 17, B - 1000 Brussels

Foreword

The text of document 48B/1883A/FDIS, future edition 3 of IEC 60603-7, prepared by SC 48B, Connectors, of IEC TC 48, Electromechanical components and mechanical structures for electronic equipment, was submitted to the IEC-CENELEC parallel vote and was approved by CENELEC as EN 60603-7 on 2009-09-01.

This European Standard supersedes EN 60603-7:1997.

EN 60603-7:2009 includes the following significant technical changes with respect to EN 60603-7:1997:

- drawings and test schedules were updated based on the work done developing EN 60603-7-4;
- a corrected figure (Figure 10) illustrating a connector de-rating curve has been prepared and inserted in the text;
- Annex D contains the dimensions that define the panel mounting features on the connector and panel that were referenced as the Type A, variant 03 connector in EN 60603-7:1997.

The following dates were fixed:

- latest date by which the EN has to be implemented
at national level by publication of an identical
national standard or by endorsement (dop) 2010-06-01
- latest date by which the national standards conflicting
with the EN have to be withdrawn (dow) 2012-09-01

Annex ZA has been added by CENELEC.

Endorsement notice

The text of the International Standard IEC 60603-7:2008 was approved by CENELEC as a European Standard without any modification.

In the official version, for Bibliography, the following notes have to be added for the standards indicated:

IEC 60603-7-2	NOTE	Harmonized as EN 60603-7-2:2009 (not modified).
IEC 60603-7-3	NOTE	Harmonized as EN 60603-7-3:2009 (not modified).
IEC 60603-7-4	NOTE	Harmonized as EN 60603-7-4:2005 (not modified).
IEC 60603-7-5	NOTE	Harmonized as EN 60603-7-5:2009 (not modified).
IEC 60603-7-7	NOTE	Harmonized as EN 60603-7-7:2006 (not modified).
IEC 61169-16	NOTE	Harmonized as EN 61169-16:2007 (not modified).

Annex ZA (normative)

Normative references to international publications with their corresponding European publications

The following referenced documents are indispensable for the application of this document. For dated references, only the edition cited applies. For undated references, the latest edition of the referenced document (including any amendments) applies.

NOTE When an international publication has been modified by common modifications, indicated by (mod), the relevant EN/HD applies.

<u>Publication</u>	<u>Year</u>	<u>Title</u>	<u>EN/HD</u>	<u>Year</u>
IEC 60050-581	- ¹⁾	International Electrotechnical Vocabulary (IEV) - Part 581: Electromechanical components for electronic equipment	-	-
IEC 60068-1	- ¹⁾	Environmental testing - Part 1: General and guidance	EN 60068-1	1994 ²⁾
IEC 60068-2-14	- ¹⁾	Environmental testing - Part 2-14: Tests - Test N: Change of temperature	EN 60068-2-14	2009 ²⁾
IEC 60068-2-38	- ¹⁾	Environmental testing - Part 2-38: Tests - Test Z/AD: Composite temperature/humidity cyclic test	EN 60068-2-38	2009 ²⁾
IEC 60352-2	- ¹⁾	Solderless connections - Part 2: Crimped connections - General requirements, test methods and practical guidance	EN 60352-2	2006 ²⁾
IEC 60352-3	- ¹⁾	Solderless connections - Part 3: Solderless accessible insulation displacement connections - General requirements, test methods and practical guidance	EN 60352-3	1994 ²⁾
IEC 60352-4	- ¹⁾	Solderless connections - Part 4: Solderless non-accessible insulation displacement connections - General requirements, test methods and practical guidance	EN 60352-4	1994 ²⁾
IEC 60352-5	- ¹⁾	Solderless connections - Part 5: Press-in connections - General requirements, test methods and practical guidance	EN 60352-5	2008 ²⁾
IEC 60352-6	- ¹⁾	Solderless connections - Part 6: Insulation piercing connections - General requirements, test methods and practical guidance	EN 60352-6	1997 ²⁾
IEC 60352-7	- ¹⁾	Solderless connections - Part 7: Spring clamp connections - General requirements, test methods and practical guidance	EN 60352-7	2002 ²⁾

¹⁾ Undated reference.

²⁾ Valid edition at date of issue.

I.S. EN 60603-7:2009

EN 60603-7:2009

- 4 -

<u>Publication</u>	<u>Year</u>	<u>Title</u>	<u>EN/HD</u>	<u>Year</u>
IEC 60512	Series	Connectors for electronic equipment - Tests and measurements	EN 60512	Series
IEC 60512-1-100	- ¹⁾	Connectors for electronic equipment - Tests and measurements - Part 1-100: General - Applicable publications	EN 60512-1-100	2006 ²⁾
IEC 60603-7	Series	Connectors for electronic equipment - Part 7: Detail specifications for 8-way free and fixed connectors	EN 60603-7	Series
IEC 60664-1	- ¹⁾	Insulation coordination for equipment within low-voltage systems - Part 1: Principles, requirements and tests	EN 60664-1	2007 ²⁾
IEC 61076-1	2006	Connectors for electronic equipment - Product requirements - Part 1: Generic specification	EN 61076-1	2006
IEC 61156	Series	Multicore and symmetrical pair/quad cables for digital communications	-	-
IEC 61156-1	- ¹⁾	Multicore and symmetrical pair/quad cables for digital communications - Part 1: Generic specification	-	-
IEC 61156-2	- ¹⁾	Multicore and symmetrical pair/quad cables for digital communications - Part 2: Horizontal floor wiring - Sectional specification	-	-
IEC 61156-3	- ¹⁾	Multicore and symmetrical pair/quad cables for digital communications - Part 3: Work area cable - Sectional specification	-	-
IEC 61156-4	- ¹⁾	Multicore and symmetrical pair/quad cables for digital communications - Part 4: Riser cables - Sectional specification	-	-
IEC 61156-5	- ¹⁾	Multicore and symmetrical pair/quad cables for digital communications - Part 5: Symmetrical pair/quad cables with transmission characteristics up to 1 000 MHz - Horizontal floor wiring - Sectional specification	-	-
IEC 61156-6	- ¹⁾	Multicore and symmetrical pair/quad cables for digital communications - Part 6: Symmetrical pair/quad cables with transmission characteristics up to 1 000 MHz - Work area wiring - Sectional specification	-	-
IEC 61156-7	- ¹⁾	Multicore and symmetrical pair/quad cables for digital communications - Part 7: Symmetrical pair cables with transmission characteristics up to 1 200 MHz - Sectional specification for digital and analog communication cables	-	-
ISO/IEC 11801	- ¹⁾	Information technology - Generic cabling for customer premises	-	-
ISO 1302	- ¹⁾	Geometrical Product Specifications (GPS) - Indication of surface texture in technical product documentation	EN ISO 1302	2002 ²⁾

<u>Publication</u>	<u>Year</u>	<u>Title</u>	<u>EN/HD</u>	<u>Year</u>
ITU-T Recommendation K.20	2000 ³⁾	Resistibility of telecommunication equipment installed in a telecommunications centre to overvoltages and overcurrents	-	-
ITU-T Recommendation K.44	2000 ⁴⁾	Resistibility tests for telecommunication equipment exposed to overvoltages and overcurrents - Basic Recommendation	-	-

³⁾ ITU-T Recommendation K.20 is superseded by ITU-T Recommendation K.20:2003 but for the purpose of this standard, the 2000 edition applies.

⁴⁾ ITU-T Recommendation K.44 is superseded by ITU-T Recommendation K.44:2003 but for the purpose of this standard, the 2000 edition applies.

This page is intentionally left BLANK.

CONTENTS

FOREWORD.....	5
INTRODUCTION.....	7
1 General.....	8
1.1 Scope.....	8
1.2 Normative references.....	8
2 Terms and definitions.....	10
3 Common features and typical connector pair.....	11
3.1 View showing typical fixed and free connectors.....	11
3.2 Mating information.....	11
3.2.1 General.....	11
3.2.2 Contacts – mating conditions.....	12
3.2.3 Fixed connector.....	14
3.2.4 Free connector.....	17
4 Cable terminations and internal connections – Fixed and free connectors.....	19
4.1 General.....	19
4.2 Termination types.....	19
4.2.1 Solder terminations (under consideration).....	19
4.2.2 Solderless terminations.....	19
5 Gauges.....	20
5.1 Fixed connectors.....	20
5.2 Free connectors.....	23
6 Characteristics.....	25
6.1 General.....	25
6.2 Pin and pair grouping assignment.....	25
6.3 Classification into climatic category.....	25
6.4 Electrical characteristics.....	26
6.4.1 Creepage and clearance distances.....	26
6.4.2 Voltage proof.....	26
6.4.3 Current-temperature derating.....	26
6.4.4 Initial contact resistance – interface only (separable fixed and free contact).....	27
6.4.5 Input to output d.c. resistance.....	27
6.4.6 Input-to-output d.c. resistance unbalance.....	27
6.4.7 Initial insulation resistance.....	28
6.4.8 Transfer impedance.....	28
6.5 Transmission characteristics.....	28
6.6 Mechanical characteristics.....	28
6.6.1 Mechanical operation.....	28
6.6.2 Effectiveness of connector coupling devices.....	28
6.6.3 Insertion and withdrawal forces.....	28
7 Tests and test schedule.....	28
7.1 General.....	28
7.2 Arrangement for contact resistance test.....	29
7.3 Arrangement for vibration test (test phase CP1).....	30
7.4 Test procedures and measuring methods.....	30
7.5 Preconditioning.....	31

7.6	Wiring and mounting of specimens	31
7.6.1	Wiring.....	31
7.6.2	Mounting	31
7.7	Test schedules	31
7.7.1	Basic (minimum) test schedule	31
7.7.2	Full test schedule	31
Annex A (normative)	Gauging continuity procedure.....	39
Annex B (normative)	Locking-device mechanical operation	43
Annex C (normative)	Gauge requirements	44
Annex D (normative)	Keystone connector information	45
Bibliography.....		47
Figure 1	– View showing typical fixed and free connectors.....	11
Figure 2	– Contact interface dimensions with terminated free connector	12
Figure 3	– Fixed connector details	15
Figure 4	– Free connector view.....	17
Figure 5	– “Go” gauge.....	20
Figure 6	– “No-go” gauges	22
Figure 7	– “No-go” gauges	23
Figure 8	– “Go” gauge.....	24
Figure 9	– Fixed connector pin and pair grouping assignment (front view of connector)	25
Figure 10	– Connector de-rating curve	27
Figure 11	– Arrangement for contact resistance test	29
Figure 12	– Arrangement for vibration test	30
Figure A.1	– Gauge.....	41
Figure A.2	– Gauge insertion	42
Figure D.1	– Keystone connector	45
Figure D.2	– Panel drawing.....	46
Table 1	– Dimensions for Figure 2	13
Table 2	– Dimensions for Figure 3	16
Table 3	– Dimensions for Figure 4	18
Table 4	– Dimensions for Figures 5 and 6.....	22
Table 5	– Dimensions for Figure 7	23
Table 6	– Dimensions for Figure 8	24
Table 7	– Climatic categories – selected values.....	25
Table 8	– Creepage and clearance distances.....	26
Table 9	– Test group P	32
Table 10	– Test group AP	33
Table 11	– Test group BP	35
Table 12	– Test group CP	36
Table 13	– Test group DP	37
Table 14	– Test group FP	38
Table A.1	– Dimensions for Figure A.1.....	40

Table D.1 – Dimensions for Figure D.1	45
Table D.2 – Dimensions	46

INTERNATIONAL ELECTROTECHNICAL COMMISSION

CONNECTORS FOR ELECTRONIC EQUIPMENT –

**Part 7: Detail specification for 8-way, unshielded,
free and fixed connectors**

FOREWORD

- 1) The International Electrotechnical Commission (IEC) is a worldwide organization for standardization comprising all national electrotechnical committees (IEC National Committees). The object of IEC is to promote international co-operation on all questions concerning standardization in the electrical and electronic fields. To this end and in addition to other activities, IEC publishes International Standards, Technical Specifications, Technical Reports, Publicly Available Specifications (PAS) and Guides (hereafter referred to as "IEC Publication(s)"). Their preparation is entrusted to technical committees; any IEC National Committee interested in the subject dealt with may participate in this preparatory work. International, governmental and non-governmental organizations liaising with the IEC also participate in this preparation. IEC collaborates closely with the International Organization for Standardization (ISO) in accordance with conditions determined by agreement between the two organizations.
- 2) The formal decisions or agreements of IEC on technical matters express, as nearly as possible, an international consensus of opinion on the relevant subjects since each technical committee has representation from all interested IEC National Committees.
- 3) IEC Publications have the form of recommendations for international use and are accepted by IEC National Committees in that sense. While all reasonable efforts are made to ensure that the technical content of IEC Publications is accurate, IEC cannot be held responsible for the way in which they are used or for any misinterpretation by any end user.
- 4) In order to promote international uniformity, IEC National Committees undertake to apply IEC Publications transparently to the maximum extent possible in their national and regional publications. Any divergence between any IEC Publication and the corresponding national or regional publication shall be clearly indicated in the latter.
- 5) IEC provides no marking procedure to indicate its approval and cannot be rendered responsible for any equipment declared to be in conformity with an IEC Publication.
- 6) All users should ensure that they have the latest edition of this publication.
- 7) No liability shall attach to IEC or its directors, employees, servants or agents including individual experts and members of its technical committees and IEC National Committees for any personal injury, property damage or other damage of any nature whatsoever, whether direct or indirect, or for costs (including legal fees) and expenses arising out of the publication, use of, or reliance upon, this IEC Publication or any other IEC Publications.
- 8) Attention is drawn to the Normative references cited in this publication. Use of the referenced publications is indispensable for the correct application of this publication.
- 9) Attention is drawn to the possibility that some of the elements of this IEC Publication may be the subject of patent rights. IEC shall not be held responsible for identifying any or all such patent rights.

International Standard IEC 60603-7 has been prepared by subcommittee 48B: Connectors, of IEC technical committee 48: Electromechanical components and mechanical structures for electronic equipment.

This third edition cancels and replaces the second edition published in 1996 and constitutes a technical revision. This edition includes the following significant technical change with respect to the previous edition:

- Drawings and test schedules were updated based on the work done developing IEC 60603-7-4.
- A corrected figure (Figure 10) illustrating a connector de-rating curve has been prepared and inserted in the text.
- Annex D contains the dimensions that define the panel mounting features on the connector and panel that were referenced as the Type A, variant 03 connector in the previous edition.

The text of this standard is based on the following documents:

FDIS	Report on voting
48B/1883A/FDIS	48B/1917/RVD

Full information on the voting for the approval of this standard can be found in the report on voting indicated in the above table.

This publication has been drafted in accordance with the ISO/IEC Directives, Part 2.

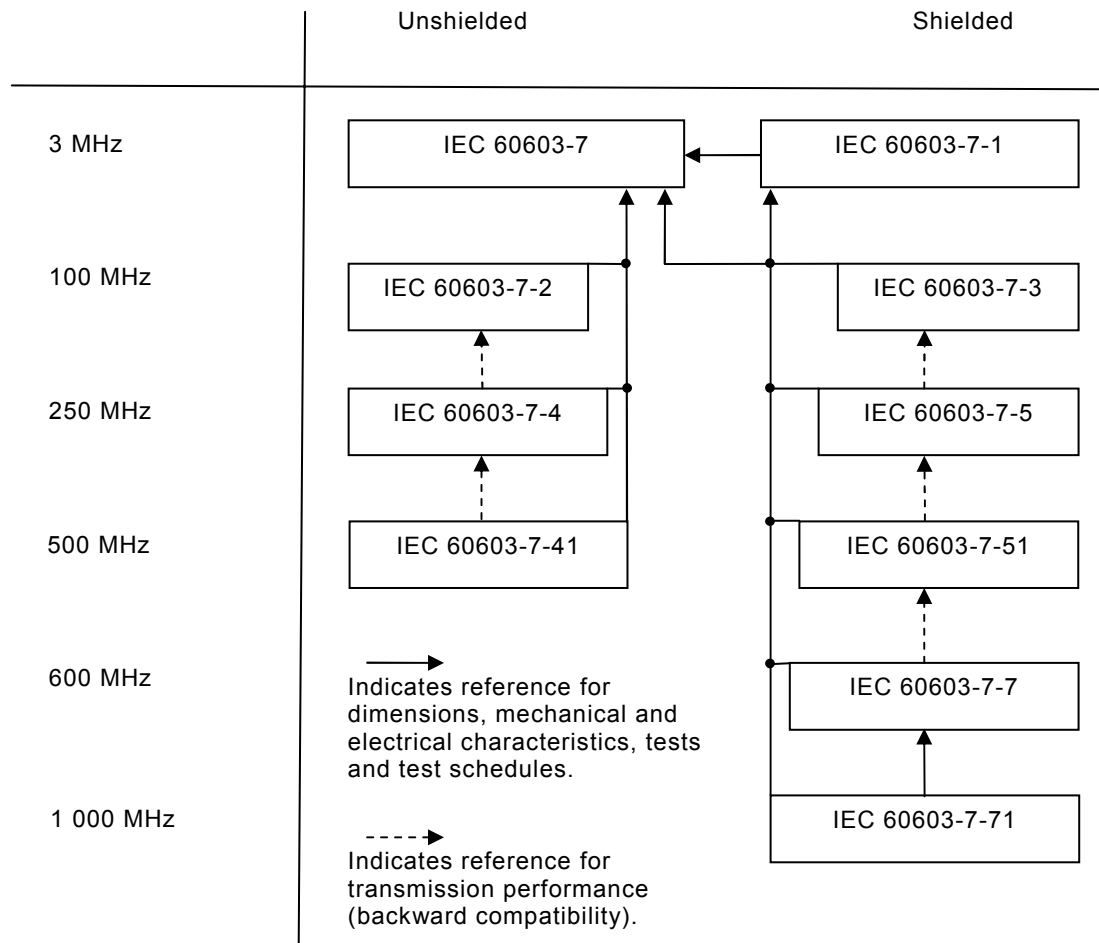
A list of all parts of IEC 60603-7 series, under the general title: *Connectors for electronic equipment*, can be found on the IEC website.

The committee has decided that the contents of this publication will remain unchanged until the maintenance result date indicated on the IEC web site under "<http://webstore.iec.ch>" in the data related to the specific publication. At this date, the publication will be

- reconfirmed,
- withdrawn,
- replaced by a revised edition, or
- amended.

INTRODUCTION

IEC 60603-7 is the base specification of the whole series. Subsequent specifications do not duplicate information given in the base document, but list only additional requirements. For complete specification regarding a component of a higher number document all lower numbered documents must be considered as well. The following diagram shows the interrelation of the documents:



It should be noted that during the preparation of the third edition of IEC 60603-7, the subcommittee 48B Cat 6&7 project team members determined the current de-rating curve in the standard was not correct. Several experts researched the current rating-temperature rise measurements for 60603-7 style connectors and verified that the de-rating curve in the published standard has been incorrect for many years. A corrected figure (Figure 10) has been prepared and inserted in this edition.

CONNECTORS FOR ELECTRONIC EQUIPMENT –

Part 7: Detail specification for 8-way, unshielded, free and fixed connectors

1 General

1.1 Scope

This part of IEC 60603-7 covers 8-way unshielded free and fixed connectors, it is intended to specify the common dimensions, mechanical, electrical and environmental characteristics and tests for the family of IEC 60603-7-x connectors.

These connectors are intermateable (according to IEC 61076-1 level 2) and interoperable with other IEC 60603-7 series connectors.

1.2 Normative references

The following referenced documents are indispensable for the application of this document. For dated references, only the edition cited applies. For undated references, the latest edition of the referenced document (including any amendments) applies.

IEC 60050-581, *International Electrotechnical Vocabulary (IEV) – Chapter 581: Electromechanical components for electronic equipment*

IEC 60068-1, *Environmental testing – Part 1: General and guidance*

IEC 60068-2-14, *Basic environmental testing procedures – Part 2-14: Tests – Test N: Change of temperature*

IEC 60068-2-38, *Basic environmental testing procedures – Part 2-38: Tests – Test Z/AD: Composite temperature/ humidity cyclic test*

IEC 60352-2, *Solderless connections – Part 2: Crimped connections – General requirements, test methods and practical guidance*

IEC 60352-3, *Solderless connections – Part 3: Solderless accessible insulation displacement connections – General requirements, test methods and practical guidance*

IEC 60352-4, *Solderless connections – Part 4: Solderless non-accessible insulation displacement connections – General requirements, test methods and practical guidance*

IEC 60352-5, *Solderless connections – Part 5: Press-in connections – General requirements, test methods and practical guidance*

IEC 60352-6, *Solderless connections – Part 6: Insulation piercing connections – General requirements, test methods and practical guidance*

IEC 60352-7, *Solderless connections – Part 7: Spring clamp connections – General requirements, test methods and practical guidance*

IEC 60512 (all parts), *Connectors for electronic equipment – Tests and measurements*

This is a free preview. Purchase the entire publication at the link below:

[Product Page](#)

-
- [Looking for additional Standards? Visit Intertek Inform Infostore](#)
 - [Learn about LexConnect, All Jurisdictions, Standards referenced in Australian legislation](#)
-