



**National Standards Authority of Ireland**

IRISH STANDARD

**I.S. EN 148-3:1999**

ICS 13.340.30

National Standards  
Authority of Ireland  
Dublin 9  
Ireland

Tel: (01) 807 3800  
Tel: (01) 807 3838

**RESPIRATORY PROTECTIVE DEVICES -  
THREADS FOR FACEPIECES - PART 3:  
THREAD CONNECTION M 45 X 3**

*This Irish Standard was  
published under the  
authority of the National  
Standards Authority of  
Ireland  
and comes into effect on:  
April 30, 1999*

**NO COPYING WITHOUT NSAI  
PERMISSION EXCEPT AS  
PERMITTED BY COPYRIGHT  
LAW**

© NSAI 1999

**Price Code E**

Údarás um Chaighdeáin Náisiúnta na hÉireann



EUROPEAN STANDARD

**EN 148-3**

NORME EUROPÉENNE

EUROPÄISCHE NORM

February 1999

ICS 13.340.30

Supersedes EN 148-3:1992

Descriptors: respiratory protective equipment, personal protective equipment, accident prevention, compressed air, junctions, threaded fittings, dimensions, interchangeability, designation

English version

## Respiratory protective devices - Threads for facepieces - Part 3: Thread connection M 45 x 3

Appareils de protection respiratoire - Filetages pour pièces  
faciales - Partie 3: Raccord à filetage M 45 x 3

Atemschutzgeräte - Gewinde für Atemanschlüsse - Teil 3:  
Gewindeanschluß M 45 x 3

This European Standard was approved by CEN on 8 January 1999.

CEN members are bound to comply with the CEN/CENELEC Internal Regulations which stipulate the conditions for giving this European Standard the status of a national standard without any alteration. Up-to-date lists and bibliographical references concerning such national standards may be obtained on application to the Central Secretariat or to any CEN member.

This European Standard exists in three official versions (English, French, German). A version in any other language made by translation under the responsibility of a CEN member into its own language and notified to the Central Secretariat has the same status as the official versions.

CEN members are the national standards bodies of Austria, Belgium, Czech Republic, Denmark, Finland, France, Germany, Greece, Iceland, Ireland, Italy, Luxembourg, Netherlands, Norway, Portugal, Spain, Sweden, Switzerland and United Kingdom.



EUROPEAN COMMITTEE FOR STANDARDIZATION  
COMITÉ EUROPÉEN DE NORMALISATION  
EUROPÄISCHES KOMITEE FÜR NORMUNG

Central Secretariat: rue de Stassart, 36 B-1050 Brussels

## Foreword

This European Standard has been prepared by the Technical Committee CEN/TC 79 "Respiratory protective devices", the secretariat of which is held by DIN.

This European Standard supersedes EN 148-3:1992.

This European Standard shall be given the status of a national standard, either by publication of an identical text or by endorsement, at the latest by August 1999, and conflicting national standards shall be withdrawn at the latest by August 1999.

It is identical to the 1992 edition, with the approved Corrigendum EN 148-3:1992/AC:1996 incorporated (see tolerances on M 45 x 3 in Figures 1 to 4), but with no other technical changes.

This European Standard has been prepared under a mandate given to CEN by the European Commission and the European Free Trade Association, and supports essential requirements of Directive 89/686/EEC.

For relationship(s) with EU Directive(s), see informative Annex ZA, which is an integral part of this standard.

According to the CEN/CENELEC Internal Regulations, the national standards organizations of the following countries are bound to implement this European Standard: Austria, Belgium, Czech Republic, Denmark, Finland, France, Germany, Greece, Iceland, Ireland, Italy, Luxembourg, Netherlands, Norway, Portugal, Spain, Sweden, Switzerland and the United Kingdom.

## 1 Scope

This European Standard is applicable to self-contained compressed air breathing apparatus designed as positive pressure breathing apparatus.

This European Standard specifies a thread connection, M 45 x 3, which may optionally be used for facepieces for positive pressure breathing apparatus.

This European Standard does not apply to negative pressure breathing apparatus, to closed-circuit breathing apparatus or to diving equipment.

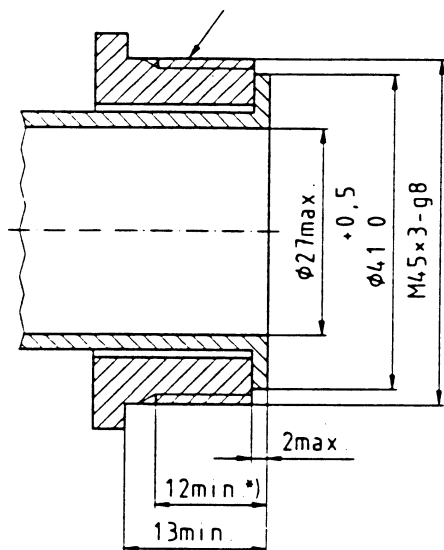
## 2 Dimensions, designation

2.1 The dimensions shall be as shown in figures 1 to 5. The connections may not correspond to the pictorial details of figures 1 to 5.

2.2 Thread connections with an external thread (code PA) on equipment shall be as shown in figures 1 and 2. For single duct systems (see figure 1) the code shall be PAA and for dual duct systems (see figure 2) the code shall be PAB.

Dimensions in millimetres

thread to start maximum 0,5 from end

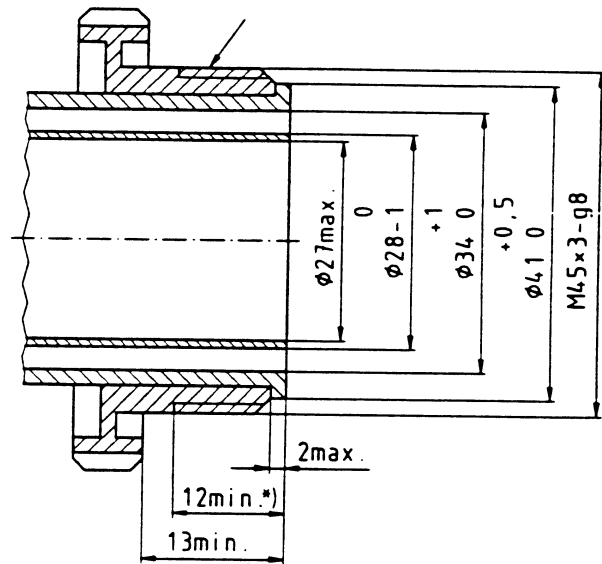


\*) full thread

Figure 1

Dimensions in millimetres

thread to start maximum 0,5 from end



\*) full thread

Figure 2

2.3 Thread connections with internal thread (code PI) on facepiece shall be as shown in figure 3 and figure 4. For single duct systems (see figure 3) the code shall be PIA and for dual duct systems (see figure 4) the code shall be PIB.

Dimensions in millimetres

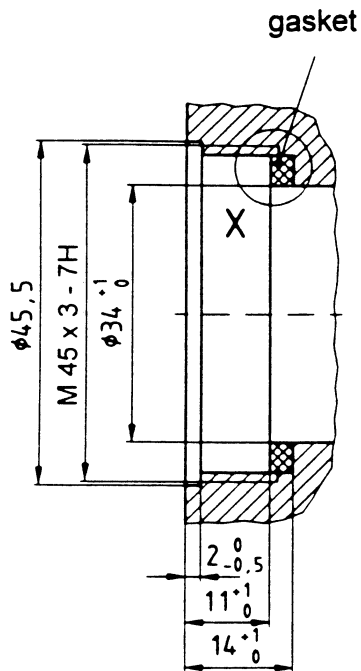
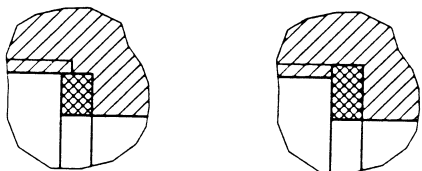


Figure 3

Detail X (left to the choice of the manufacturer)

(a) (b)



Dimensions in millimetres

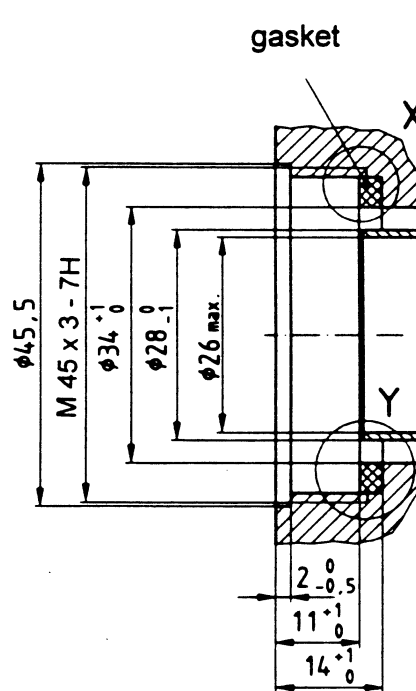
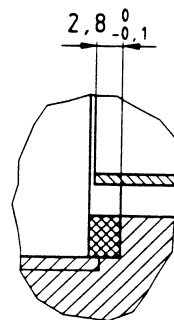


Figure 4

Detail Y



2.4 Gasket (D)  
(code DPI)

Dimensions in millimetres

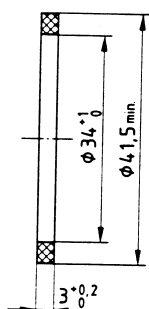


Figure 5

NOTE: Material: Elastomer  
left to the choice of the  
manufacturer

This is a free preview. Purchase the entire publication at the link below:

[Product Page](#)

- 
- [Looking for additional Standards? Visit Intertek Inform Infostore](#)
  - [Learn about LexConnect, All Jurisdictions, Standards referenced in Australian legislation](#)
-