



National Standards Authority of Ireland

IRISH STANDARD

I.S. EN ISO 9873:2000

ICS 11.060.20

National Standards
Authority of Ireland
Dublin 9
Ireland

Tel: (01) 807 3800
Tel: (01) 807 3838

**DENTAL HAND INSTRUMENT - REUSABLE
MIRRORS AND HANDLES (ISO 9873:1998)**

*This Irish Standard was
published under the
authority of the National
Standards Authority of
Ireland
and comes into effect on:
July 28, 2000*

**NO COPYING WITHOUT NSAI
PERMISSION EXCEPT AS
PERMITTED BY COPYRIGHT
LAW**

© NSAI 2000

Price Code H

Údarás um Chaighdeáin Náisiúnta na hÉireann



INTERNATIONAL STANDARD ISO 9873:1998
TECHNICAL CORRIGENDUM 1

Published 2000-06-15

INTERNATIONAL ORGANIZATION FOR STANDARDIZATION • МЕЖДУНАРОДНАЯ ОРГАНИЗАЦИЯ ПО СТАНДАРТИЗАЦИИ • ORGANISATION INTERNATIONALE DE NORMALISATION

Dental hand instruments — Reusable mirrors and handles

TECHNICAL CORRIGENDUM 1

Instruments dentaires à main — Miroirs et manches de miroirs réutilisables

RECTIFICATIF TECHNIQUE 1

Technical Corrigendum 1 to International Standard ISO 9873:1998 was prepared by Technical Committee ISO/TC 106, *Dentistry*, Subcommittee SC 4, *Dental instruments*.

Page 7, subclause 5.8.1

Add the phrase "...with the casing." at the end of the second sentence.

Add the phrase "...with the side of the slot..." to the third sentence so that it reads:

"The depth of the slot shall be sufficient to ensure that the mirror stem does not come into contact with the side of the slot during the test."

Page 8, subclause 5.8.2

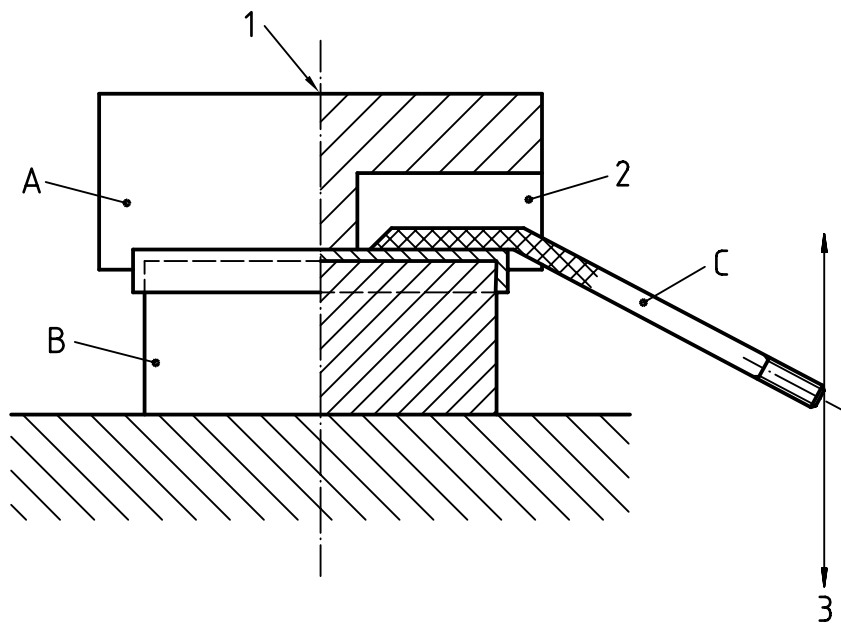
Delete the entire paragraph and replace it with the following text:

"Screw the casing and stem assembly C into the handle and clamp firmly in position using components A and B. Apply a moment of force of 1,25 N·m at the weld, in both directions, at 90° to the bottom of the mirror casing (see figure 4)."

ISO 9873:1998/Cor.1:2000(E)

Page 8, figure 4

Replace figure 4 with the new figure 4 shown below.



Key

- 1 Clamp
- 2 Slot
- 3 Application of force

Figure 4 — Clamping device for mirror casing

EUROPEAN STANDARD
NORME EUROPÉENNE
EUROPÄISCHE NORM

EN ISO 9873

April 2000

ICS 11.060.20

Supersedes EN 29873:1994

English version

Dental hand instrument - Reusable mirrors and handles (ISO 9873:1998)

Instruments dentaires à main - Miroirs et manches de miroirs réutilisables (ISO 9873:1998)

Zahnärztliche Handinstrumente - Wiederverwendbare Spiegel und Handgriffe (ISO 9873:1998)

This European Standard was approved by CEN on 11 March 2000.

CEN members are bound to comply with the CEN/CENELEC Internal Regulations which stipulate the conditions for giving this European Standard the status of a national standard without any alteration. Up-to-date lists and bibliographical references concerning such national standards may be obtained on application to the Central Secretariat or to any CEN member.

This European Standard exists in three official versions (English, French, German). A version in any other language made by translation under the responsibility of a CEN member into its own language and notified to the Central Secretariat has the same status as the official versions.

CEN members are the national standards bodies of Austria, Belgium, Czech Republic, Denmark, Finland, France, Germany, Greece, Iceland, Ireland, Italy, Luxembourg, Netherlands, Norway, Portugal, Spain, Sweden, Switzerland and United Kingdom.



EUROPEAN COMMITTEE FOR STANDARDIZATION
COMITÉ EUROPÉEN DE NORMALISATION
EUROPÄISCHES KOMITEE FÜR NORMUNG

Central Secretariat: rue de Stassart, 36 B-1050 Brussels

Foreword

The text of the International Standard from Technical Committee ISO/TC 106 "Dentistry" of the International Organization for Standardization (ISO) has been taken over as an European Standard by Technical Committee CEN/TC 55 "Dentistry", the secretariat of which is held by DIN.

This European Standard replaces EN 29873:1994.

This European Standard shall be given the status of a national standard, either by publication of an identical text or by endorsement, at the latest by October 2000, and conflicting national standards shall be withdrawn at the latest by October 2000.

According to the CEN/CENELEC Internal Regulations, the national standards organizations of the following countries are bound to implement this European Standard: Austria, Belgium, Czech Republic, Denmark, Finland, France, Germany, Greece, Iceland, Ireland, Italy, Luxembourg, Netherlands, Norway, Portugal, Spain, Sweden, Switzerland and the United Kingdom.

Endorsement notice

The text of the International Standard ISO 9873:1998 has been approved by CEN as a European Standard without any modification.

NOTE: Normative references to International Standards are listed in annex ZA (normative).

This is a free preview. Purchase the entire publication at the link below:

[Product Page](#)

-
- [Looking for additional Standards? Visit Intertek Inform Infostore](#)
 - [Learn about LexConnect, All Jurisdictions, Standards referenced in Australian legislation](#)
-