



National Standards Authority of Ireland

IRISH STANDARD

I.S. CR 14378:2002

ICS 91.140.30

**VENTILATION FOR BUILDINGS -
EXPERIMENTAL DETERMINATION OF
MECHANICAL ENERGY LOSS
COEFFICIENTS OF AIR HANDLING
COMPONENTS**

National Standards
Authority of Ireland
Dublin 9
Ireland

Tel: (01) 807 3800
Tel (01) 807 3838

*This Irish Standard was
published under the
authority of the National
Standards Authority of
Ireland
and comes into effect on
March 8, 2002*

**NO COPYING WITHOUT NSAI
PERMISSION EXCEPT AS
PERMITTED BY COPYRIGHT
LAW**

© NSAI 2002

Price Code I

Údarás um Chaighdeáin Náisiúnta na hÉireann

CEN REPORT
RAPPORT CEN
CEN BERICHT

CR 14378:2002/AC

July 2002
Juillet 2002
Juli 2002

ICS 91.140.30

English version
Version Française
Deutsche Fassung

Ventilation for buildings - Experimental determination of mechanical energy loss coefficients of air handling components

This corrigendum becomes effective on 24 July 2002 for incorporation in the English language version of the CEN Report.

Ce corrigendum prendra effet le 24 juillet 2002 pour incorporation dans la version linguistique anglaise du Rapport CEN.

Die Berichtigung tritt am 24. Juli 2002 zur Einarbeitung in die Englische Sprachfassung des CEN-Berichtes in Kraft.



EUROPEAN COMMITTEE FOR STANDARDIZATION
COMITÉ EUROPÉEN DE NORMALISATION
EUROPAISCHES KOMITEE FÜR NORMUNG

Management Centre: rue de Stassart, 36 B-1050 Brussels

© 2002 CEN All rights of exploitation in any form and by any means reserved worldwide for CEN national Members.
Tous droits d'exploitation sous quelque forme et de quelque manière que ce soit réservés dans le monde entier aux membres nationaux du CEN.
Alle Rechte der Verwertung, gleich in welcher Form und in welchem Verfahren, sind weltweit den nationalen Mitgliedern von CEN vorbehalten.

Ref. No. CR 14378:2002/AC:2002 D/E/F

CR 14378:2002/AC:2002 (E)

English version

Figure A.4 is to be replaced by the following figure:

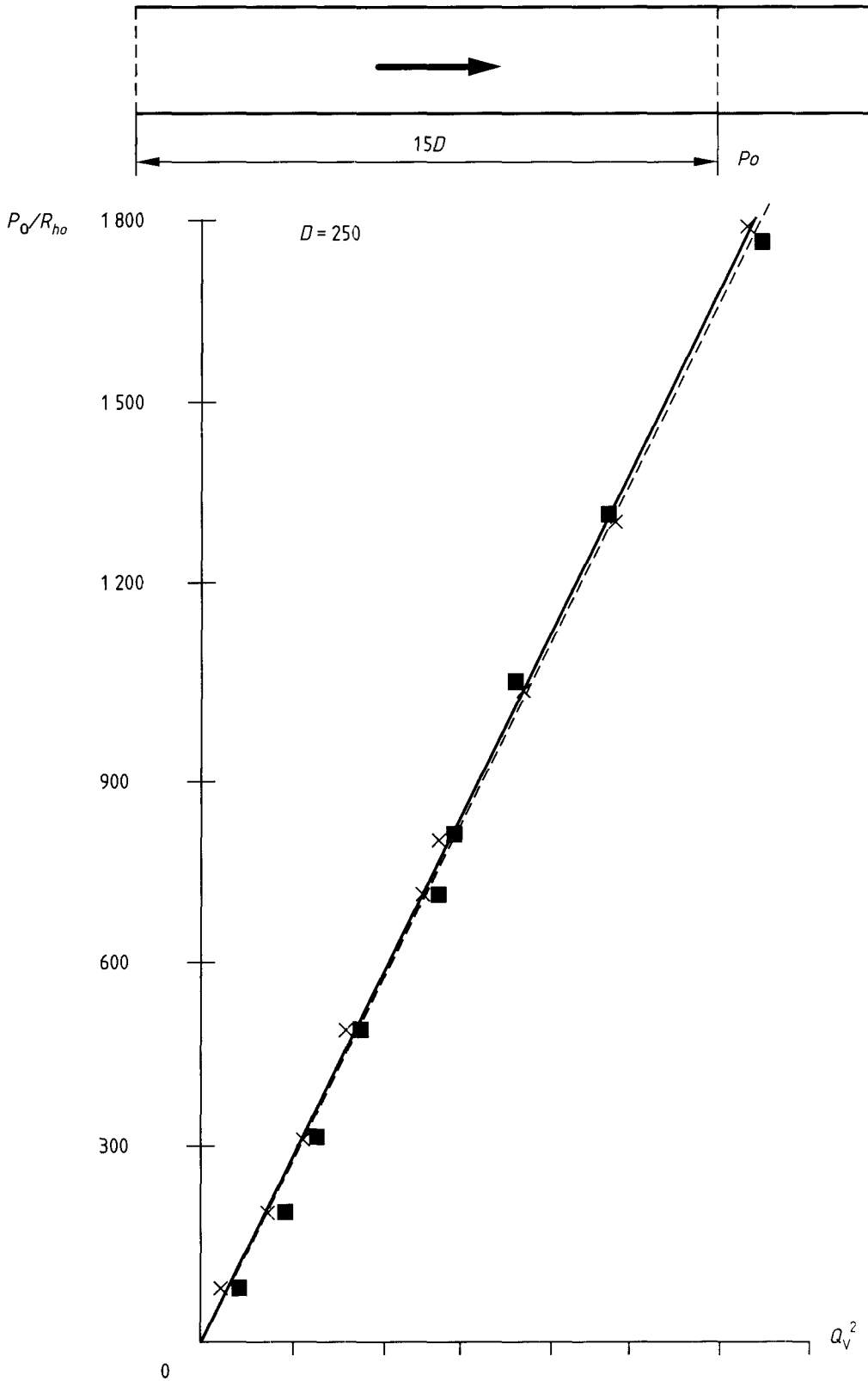
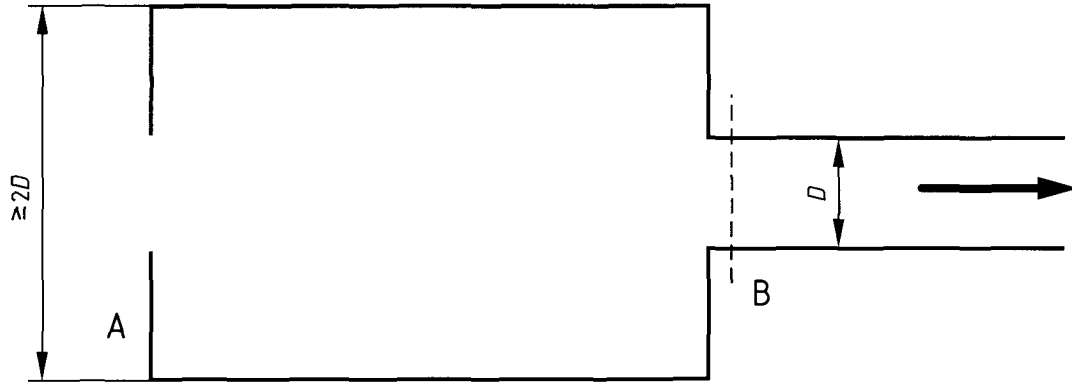


Figure A.4 — Calibrated perforated plate

Figure A.5 is to be replaced by the following figure:



Key

- A Orifice plate
- B Perforated plate

Figure A.5 — Inlet chamber for flow regulation

Figure A.6 is to be replaced by the following figure:

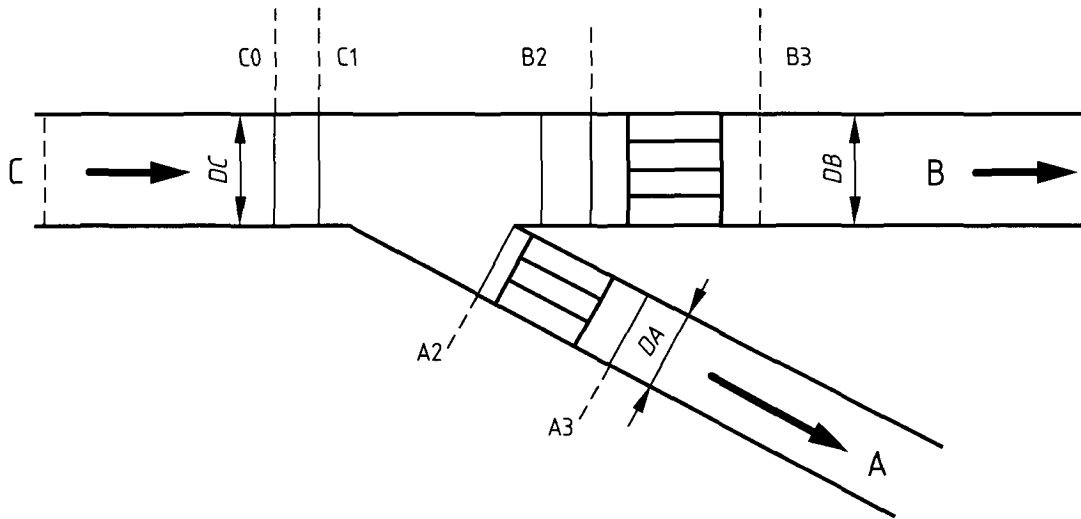


Figure A.6 — Diverging junctions

This is a free preview. Purchase the entire publication at the link below:

[Product Page](#)

-
- [Looking for additional Standards? Visit Intertek Inform Infostore](#)
 - [Learn about LexConnect, All Jurisdictions, Standards referenced in Australian legislation](#)
-