



National Standards Authority of Ireland

IRISH STANDARD

I.S. EN 14854:2006

ICS 55.130

**AEROSOL CONTAINERS - GLASS
CONTAINERS - DIMENSIONS OF THE NECK
FINISH**

National Standards
Authority of Ireland
Glasnevin, Dublin 9
Ireland

Tel: +353 1 807 3800
Fax: +353 1 807 3838
<http://www.nsai.ie>

Sales
<http://www.standards.ie>

*This Irish Standard was
published under the
authority of the National
Standards Authority of
Ireland and comes into
effect on:*

February 22, 2006

**NO COPYING WITHOUT NSAI
PERMISSION EXCEPT AS
PERMITTED BY COPYRIGHT
LAW**

© NSAI 2006

Price Code

Údarás um Chaighdeáin Náisiúnta na hÉireann

EUROPEAN STANDARD

EN 14854

NORME EUROPÉENNE

EUROPÄISCHE NORM

November 2005

ICS 55.130

English Version

Aerosol containers - Glass containers - Dimensions of the neck finish

Réipients pour aérosols - Réipients en verre -
Dimensions de la bague du col

Aerosolverpackungen - Glasbehälter - Maße der
Mündungen

This European Standard was approved by CEN on 14 October 2005.

CEN members are bound to comply with the CEN/CENELEC Internal Regulations which stipulate the conditions for giving this European Standard the status of a national standard without any alteration. Up-to-date lists and bibliographical references concerning such national standards may be obtained on application to the Central Secretariat or to any CEN member.

This European Standard exists in three official versions (English, French, German). A version in any other language made by translation under the responsibility of a CEN member into its own language and notified to the Central Secretariat has the same status as the official versions.

CEN members are the national standards bodies of Austria, Belgium, Cyprus, Czech Republic, Denmark, Estonia, Finland, France, Germany, Greece, Hungary, Iceland, Ireland, Italy, Latvia, Lithuania, Luxembourg, Malta, Netherlands, Norway, Poland, Portugal, Slovakia, Slovenia, Spain, Sweden, Switzerland and United Kingdom.



EUROPEAN COMMITTEE FOR STANDARDIZATION
COMITÉ EUROPÉEN DE NORMALISATION
EUROPÄISCHES KOMITEE FÜR NORMUNG

Management Centre: rue de Stassart, 36 B-1050 Brussels

Contents		Page
Foreword		3
1 Scope		4
2 Normative references		4
3 Critical dimensions		4

Foreword

This document (EN 14854:2005) has been prepared by Technical Committee CEN/TC 261 "Packaging", the secretariat of which is held by AFNOR.

This European Standard shall be given the status of a national standard, either by publication of an identical text or by endorsement, at the latest by May 2006, and conflicting national standards shall be withdrawn at the latest by May 2006.

This draft European Standard is one of a series of thirteen related standards with the following titles:

EN 14847, *Aerosol containers — Tinplate containers — Dimensions of the 25,4 mm aperture.*

EN 14848, *Aerosol containers — Metal containers with 25,4 mm aperture — Dimensions of valve cups.*

EN 14849, *Aerosol containers — Glass containers — Dimensions of aerosol valve ferrules.*

EN 14850, *Aerosol containers — Metal containers with 25,4 mm aperture — Measurement of contact height.*

EN 14851, *Aerosol containers — Aerosol foam flammability test.*

EN 14852, *Aerosol containers — Determination of the ignition distance of the spray jet.*

EN 14853, *Aerosol containers — Enclosed space ignition test.*

EN 14854, *Aerosol containers — Glass containers — Dimensions of the neck finish.*

prEN 15006, *Metal aerosol containers — Aluminium containers — Dimensions of the 25,4 mm (one inch) aperture.*

prEN 15007, *Metal aerosol containers — Tinplate containers — Dimensions of three-piece cans.*

prEN 15008, *Metal aerosol containers — Dimensions of 1-piece aluminium can with 25,4 mm aperture.*

prEN 15009, *Aerosol containers — Bicompartmented aerosol containers.*

prEN 15010, *Aerosol containers — Aluminium containers — Tolerances of the fundamental dimensions in connection with the clinch.*

According to the CEN/CENELEC Internal Regulations, the national standards organizations of the following countries are bound to implement this European Standard: Austria, Belgium, Cyprus, Czech Republic, Denmark, Estonia, Finland, France, Germany, Greece, Hungary, Iceland, Ireland, Italy, Latvia, Lithuania, Luxembourg, Malta, Netherlands, Norway, Poland, Portugal, Slovakia, Slovenia, Spain, Sweden, Switzerland and United Kingdom.

EN 14854:2005 (E)

1 Scope

This European Standard specifies the critical dimensions of the neck finish of glass aerosol containers with respect to the thorough and tight closing of valves with ferrules defined in EN 14849.

This standard is applicable to a nominal diameter of 11 mm, 13 mm, 15 mm, 17 mm, 18 mm and 20 mm necked aerosol containers with moulded and tubular neck finishes.

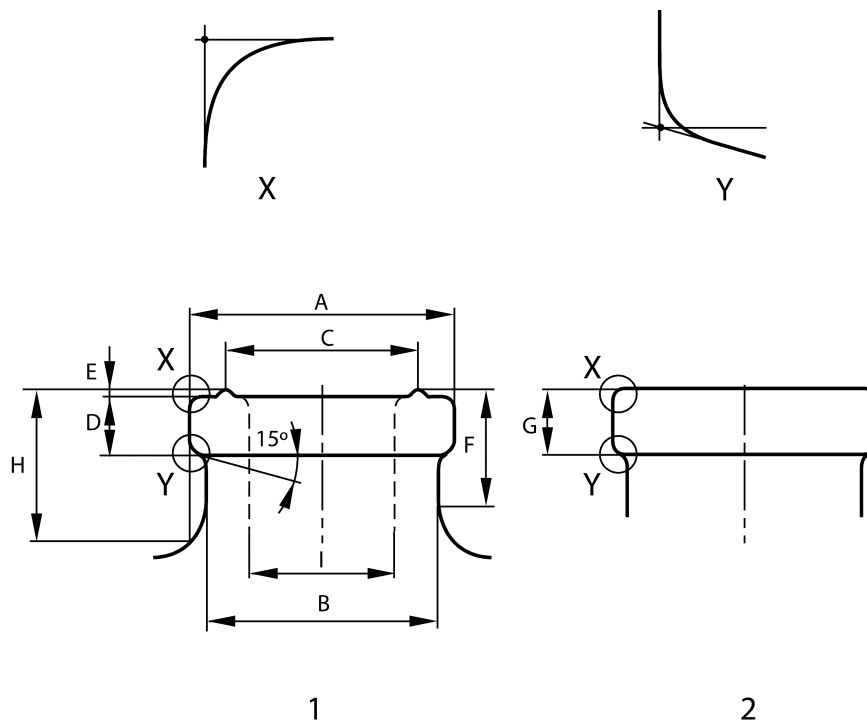
2 Normative references

The following referenced documents are indispensable for the application of this document. For dated references, only the edition cited applies. For undated references, the latest edition of the referenced document (including any amendments) applies.

EN 14849, *Aerosol containers — Glass containers — Dimensions of aerosol ferrules.*

3 Critical dimensions

The critical dimensions of the neck finish of glass aerosol containers shall conform to Figure 1 and Table 1.



Key

- 1 Moulded glass
- 2 Tubular glass
- A to H see Table 1

Figure 1 — Critical dimensions of neck finish glass aerosol containers

This is a free preview. Purchase the entire publication at the link below:

[Product Page](#)

-
- [Looking for additional Standards? Visit Intertek Inform Infostore](#)
 - [Learn about LexConnect, All Jurisdictions, Standards referenced in Australian legislation](#)
-