



NSAI
Standards

Irish Standard
I.S. EN 14423:2005

Clamp type coupling assemblies for use with steam hoses rated for pressures up to 18 bar

I.S. EN 14423:2005

Incorporating amendments/corrigenda issued since publication:

EN 14423:2004/AC:2006

The National Standards Authority of Ireland (NSAI) produces the following categories of formal documents:

I.S. xxx: Irish Standard – national specification based on the consensus of an expert panel and subject to public consultation.

S.R. xxx: Standard Recommendation - recommendation based on the consensus of an expert panel and subject to public consultation.

SWiFT xxx: A rapidly developed recommendatory document based on the consensus of the participants of an NSAI workshop.

This document replaces:

This document is based on:
EN 14423:2004

Published:
17 November, 2004

This document was published under the authority of the NSAI and comes into effect on:
2 February, 2005

ICS number:
23.040.70

NSAI

1 Swift Square,
Northwood, Santry
Dublin 9

T +353 1 807 3800
F +353 1 807 3838
E standards@nsai.ie
W NSAI.ie

Sales:

T +353 1 857 6730
F +353 1 857 6729
W standards.ie

Údarás um Chaighdeáin Náisiúnta na hÉireann

I.S. EN 14423:2005

EUROPEAN STANDARD

EN 14423:2004/AC

NORME EUROPÉENNE

May 2006

EUROPÄISCHE NORM

Mai 2006
Mai 2006

ICS 23.040.70

English version
Version Française
Deutsche Fassung

Clamp type coupling assemblies for use with steam hoses rated for pressures up to 18 bar

Raccords avec colliers de serrage pour tuyaux à vapeur utilisant une pression jusqu'à 18 bar

Schlaucharmaturen mit Klemmfassung für Dampf bis 18 bar

This corrigendum becomes effective on 3 May 2006 for incorporation in the official English version of the EN.

Ce corrigendum prendra effet le 3 mai 2006 pour incorporation dans la version anglaise officielle de la EN.

Die Berichtigung tritt am 3.Mai 2006 zur Einarbeitung in die offizielle Englische Fassung der EN in Kraft.



EUROPEAN COMMITTEE FOR STANDARDIZATION
COMITÉ EUROPÉEN DE NORMALISATION
EUROPÄISCHES KOMITEE FÜR NORMUNG

Management Centre: rue de Stassart, 36 B-1050 Brussels

© 2006 CEN All rights of exploitation in any form and by any means reserved worldwide for CEN national Members.
Tous droits d'exploitation sous quelque forme et de quelque manière que ce soit réservés dans le monde entier aux membres nationaux du CEN.
Alle Rechte der Verwertung, gleich in welcher Form und in welchem Verfahren, sind weltweit den nationalen Mitgliedern von CEN vorbehalten.

Ref. No.: EN 14423:2004/AC:2006 E

English Version

Missing Figure 1, insert the following:

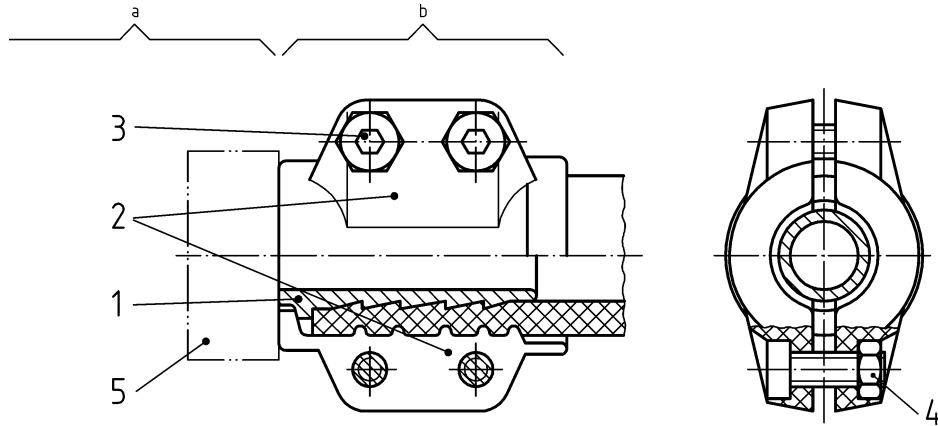


Figure 1 – Coupling assembly

ICS 23.040.70

English version

Clamp type coupling assemblies for use with steam hoses rated for pressures up to 18 bar

Raccords avec colliers de serrage pour tuyaux à vapeur utilisant une pression jusqu'à 18 bar

Schlaucharmaturen mit Klemmfassung für Dampf bis 18 bar

This European Standard was approved by CEN on 30 September 2004.

CEN members are bound to comply with the CEN/CENELEC Internal Regulations which stipulate the conditions for giving this European Standard the status of a national standard without any alteration. Up-to-date lists and bibliographical references concerning such national standards may be obtained on application to the Central Secretariat or to any CEN member.

This European Standard exists in three official versions (English, French, German). A version in any other language made by translation under the responsibility of a CEN member into its own language and notified to the Central Secretariat has the same status as the official versions.

CEN members are the national standards bodies of Austria, Belgium, Cyprus, Czech Republic, Denmark, Estonia, Finland, France, Germany, Greece, Hungary, Iceland, Ireland, Italy, Latvia, Lithuania, Luxembourg, Malta, Netherlands, Norway, Poland, Portugal, Slovakia, Slovenia, Spain, Sweden, Switzerland and United Kingdom.



EUROPEAN COMMITTEE FOR STANDARDIZATION
COMITÉ EUROPÉEN DE NORMALISATION
EUROPÄISCHES KOMITEE FÜR NORMUNG

Management Centre: rue de Stassart, 36 B-1050 Brussels

Contents

	page
Foreword.....	3
1 Scope	4
2 Normative references	4
3 Terms and definitions	5
4 General requirements.....	5
5 Survey on coupling assemblies and their designation	6
6 Hose dimensions	8
7 Design and dimensions	9
8 Bolts and nuts	19
9 Materials	19
10 Marking	21
11 Testing	22
12 Mounting of hose fittings	23
Bibliography	24

Foreword

This document (EN 14423:2004) has been prepared by Technical Committee CEN/TC 218 "Rubber and plastics hoses and hose assemblies", the secretariat of which is held by BSI.

This European Standard shall be given the status of a national standard, either by publication of an identical text or by endorsement, at the latest by May 2005, and conflicting national standards shall be withdrawn at the latest by May 2005.

According to the CEN/CENELEC Internal Regulations, the national standards organizations of the following countries are bound to implement this European Standard: Austria, Belgium, Cyprus, Czech Republic, Denmark, Estonia, Finland, France, Germany, Greece, Hungary, Iceland, Ireland, Italy, Latvia, Lithuania, Luxembourg, Malta, Netherlands, Norway, Poland, Portugal, Slovakia, Slovenia, Spain, Sweden, Switzerland and United Kingdom.

1 Scope

This document specifies the design, materials and dimensions of fittings for clamp type coupling assemblies for use with nominal sizes DN 15 to DN 50 steam and hot water hoses. It covers assemblies up to a maximum working pressure of 18 bar (corresponding to a saturated steam temperature of 210 °C).

2 Normative references

The following referenced documents are indispensable for the application of this document. For dated references, only the edition cited applies. For undated references, the latest edition of the referenced document (including any amendments) applies.

EN 288-1, *Specification and qualification of welding procedures for metallic materials — Part 1: General rules for fusion welding*

EN 1092-1, *Flanges and their joints — Circular flanges for pipes, valves, fittings and accessories, PN designated — Part 1: Steel flanges*

EN 1982, *Copper and copper alloys — Ingots and castings*

EN 10025, *Hot rolled products of non-alloy structural steels — Technical delivery conditions*

EN 10088-1, *Stainless steels — Part 1: List of stainless steels*

EN 10088-2, *Stainless steels — Part 2: Technical delivery conditions for sheet/plate and strip for general purposes*

EN 10204, *Metallic products — Types of inspection documents*

EN 10213-4, *Technical delivery conditions for steel castings for pressure purposes — Part 4: Austenitic and austenitic-ferritic steel grades*

EN 10226-1, *Pipe threads where pressure tight joints are made on the threads — Part 1: Taper external threads and parallel internal threads — Dimensions, tolerances and designation*

EN 10283, *Corrosion resistant steel castings*

EN 12420, *Copper and copper alloys — Forgings*

EN 20898-2, *Mechanical properties of fasteners — Nuts with specified proof load values — Coarse thread (ISO 898-2:1992)*

EN ISO 898-1, *Mechanical properties of fasteners made of carbon steel and alloy steel — Part 1: Bolts, screws and studs (ISO 898-1:1999)*

EN ISO 4042, *Fasteners — Electroplated coatings (ISO 4042:1999)*

EN ISO 228-1:2003, *Pipe threads where pressure tight joints are not made on the threads — Part 1: Dimensions, tolerances and designation (ISO 228-1:2000)*

EN ISO 3506-1, *Mechanical properties of corrosion-resistant stainless-steel fasteners — Part 1: Bolts, screws and studs (ISO 3506-1:1997)*

EN ISO 3506-2, *Mechanical properties of corrosion-resistant stainless-steel fasteners — Part 2: Nuts (ISO 3506-2:1997)*

This is a free preview. Purchase the entire publication at the link below:

[Product Page](#)

-
- [Looking for additional Standards? Visit Intertek Inform Infostore](#)
 - [Learn about LexConnect, All Jurisdictions, Standards referenced in Australian legislation](#)
-