



NSAI
Standards

Irish Standard
I.S. EN 50377-8-12:2010

Connector sets and interconnect components to be used in optical fibre communication systems - Product specifications -- Part 8-12: Type LSH-APC simplex terminated on IEC 60793-2-50 category B1.1 and B1.3 singlemode fibre with titanium composite ferrule for category U

I.S. EN 50377-8-12:2010

Incorporating amendments/corrigenda issued since publication:

The National Standards Authority of Ireland (NSAI) produces the following categories of formal documents:

I.S. xxx: Irish Standard – national specification based on the consensus of an expert panel and subject to public consultation.

S.R. xxx: Standard Recommendation - recommendation based on the consensus of an expert panel and subject to public consultation.

SWiFT xxx: A rapidly developed recommendatory document based on the consensus of the participants of an NSAI workshop.

<i>This document replaces:</i>	<i>This document is based on:</i> EN 50377-8-12:2010	<i>Published:</i> 30 April, 2010
This document was published under the authority of the NSAI and comes into effect on: 7 May, 2010		ICS number: 33.180.20
NSAI 1 Swift Square, Northwood, Santry Dublin 9	T +353 1 807 3800 F +353 1 807 3838 E standards@nsai.ie W NSAI.ie	Sales: T +353 1 857 6730 F +353 1 857 6729 W standards.ie
Údarás um Chaighdeáin Náisiúnta na hÉireann		

EUROPEAN STANDARD

EN 50377-8-12

NORME EUROPÉENNE

EUROPÄISCHE NORM

April 2010

ICS 33.180.20

English version

**Connector sets and interconnect components to be used in optical fibre communication systems - Product specifications -
Part 8-12: Type LSH-APC simplex terminated on IEC 60793-2-50 category B1.1 and B1.3 singlemode fibre with titanium composite ferrule for category U**

Jeux de connecteurs et composants d'interconnexion à utiliser dans les systèmes de communication par fibres optiques - Spécifications de produits - Partie 8-12: Type LSH-APC simplex raccordé sur des fibres unimodales de catégorie B1.1 et B1.3 de la CEI 60793-2-50, avec fêrulle en composite de titane, pour utilisation en catégorie U

Steckverbindersätze und Verbindungsbaulemente für Lichtwellenleiter-Datenübertragungssysteme - Produktnormen - Teil 8-12: Bauart LSH-APC-Simplex zum Anschluss an Einmodenfasern der Typen B1.1 und B1.3 nach IEC 60793-2-50 mit Titanium-Komposit-Stift für die Kategorie U

This European Standard was approved by CENELEC on 2010-04-01. CENELEC members are bound to comply with the CEN/CENELEC Internal Regulations which stipulate the conditions for giving this European Standard the status of a national standard without any alteration.

Up-to-date lists and bibliographical references concerning such national standards may be obtained on application to the Central Secretariat or to any CENELEC member.

This European Standard exists in three official versions (English, French, German). A version in any other language made by translation under the responsibility of a CENELEC member into its own language and notified to the Central Secretariat has the same status as the official versions.

CENELEC members are the national electrotechnical committees of Austria, Belgium, Bulgaria, Croatia, Cyprus, the Czech Republic, Denmark, Estonia, Finland, France, Germany, Greece, Hungary, Iceland, Ireland, Italy, Latvia, Lithuania, Luxembourg, Malta, the Netherlands, Norway, Poland, Portugal, Romania, Slovakia, Slovenia, Spain, Sweden, Switzerland and the United Kingdom.

CENELEC

European Committee for Electrotechnical Standardization
Comité Européen de Normalisation Electrotechnique
Europäisches Komitee für Elektrotechnische Normung

Management Centre: Avenue Marnix 17, B - 1000 Brussels

Foreword

This European Standard was prepared by the Technical Committee CENELEC TC 86BXA, Fibre optic interconnect, passive and connectorised components. It was submitted to the formal vote and approved by CENELEC as EN 50377-8-12 on 2010-04-01.

Attention is drawn to the possibility that some of the elements of this document may be the subject of patent rights. CEN and CENELEC shall not be held responsible for identifying any or all such patent rights.

The following dates were fixed:

- latest date by which the EN has to be implemented
at national level by publication of an identical
national standard or by endorsement (dop) 2011-04-01
 - latest date by which the national standards conflicting
with the EN have to be withdrawn (dow) 2013-04-01
-

**Connector sets and interconnect components
to be used in optical fibre communication systems - Product specifications**

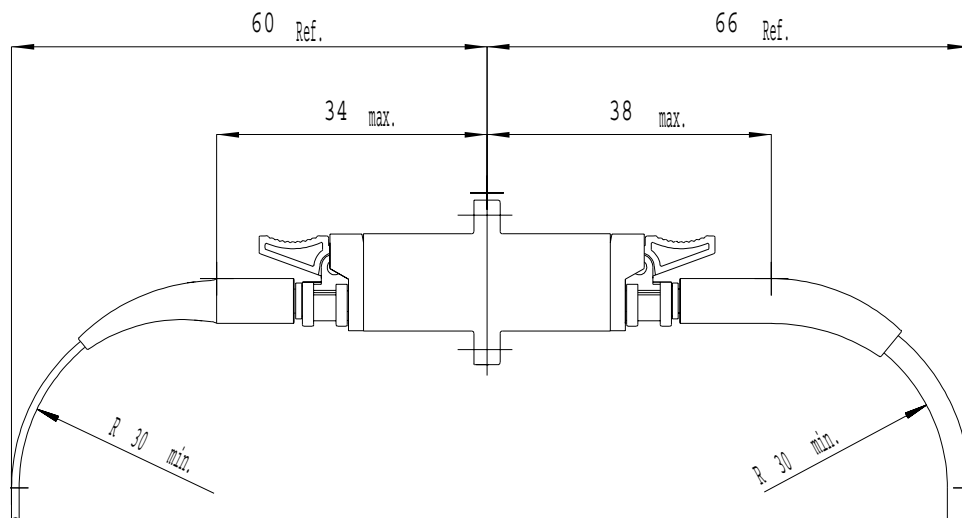
**Part 8-12: Type LSH-APC simplex terminated on IEC 60793-2-50 category B1.1 and B1.3
single mode fibre with titanium composite ferrule for Category U**

Description		Application:	Performance
Coupling mechanism:	latched push-pull		For use in Category U (uncontrolled environment)
Configuration:	plug/adaptor/plug	Attenuation grades: (random mate)	B: $\leq 0,12$ dB mean $\leq 0,25$ dB for > 97 % of measurements C: $\leq 0,25$ dB mean $\leq 0,50$ dB for > 97 % of measurements
Fibre category:	EN 60793-2-50 type B1.1 and B1.3	Return loss grades:	1: ≥ 60 dB (mated) ≥ 55 dB (unmated)
Cable type:	see Table 3		

Related documents:

- EN 60794-2 Optical fibre cables – Part 2: Indoor cables – Sectional specification (IEC 60794-2)
- EN 61300 (series) Fibre optic interconnecting devices and passive components – Basic test and measurement procedures (IEC 61300 series)
- EN 61753-1 Fibre optic interconnecting devices and passive components performance standard – Part 1: General and guidance for performance standards (IEC 61753-1)
- EN 61754-15 Fibre optic interconnecting devices and passive components – Fibre optic connector interfaces – Part 15: Type LSH connector family (IEC 61754-15)
- EN 61755-1 Fibre optic connector optical interfaces – Part 1: Optical interfaces for single mode non-dispersion shifted fibres – General and guidance (IEC 61755-1)
- EN 61755-3-8 Fibre optic interconnecting devices and passive components – Fibre optic connector optical interfaces – Part 3-8: Optical interface, 2,5 mm and 1,25 mm diameter cylindrical 8 degrees angled-APC composite ferrule using titanium as fibre surrounding material, single mode fibre (IEC 61755-3-8)

Outline and maximum dimensions:



Contents

1	Scope	6
1.1	Product definition	6
1.2	Intermateability.....	6
1.3	Operating environment.....	6
1.4	Reliability	6
1.5	Quality assurance	6
2	Normative references	6
3	Description	7
3.1	Plug	7
3.2	Adaptor.....	8
3.3	Materials.....	8
3.4	Dimensions	8
3.5	Colour and marking.....	8
4	Variants	9
4.1	Terminated plug	9
4.2	Adaptor.....	10
5	Dimensional requirements	11
5.1	Outline dimensions.....	11
5.1.1	Plug variants.....	11
5.1.2	Adaptor variants	12
5.2	Mating face and other limit dimensions.....	15
5.2.1	Plug	15
5.2.2	Ferrule endface geometry and fibre core position after termination.....	17
5.2.3	Control of fibre core position and axis	20
5.2.4	Adaptor	21
5.2.5	Pin gauge for adaptor.....	23
6	Tests	24
6.1	Sample size.....	24
6.2	Test and measurement methods	24
6.3	Test sequence.....	24
6.4	Pass/fail criteria	24
7	Test report	24
8	Product qualification requirements	25
8.1	Dimensional and marking requirements	25
8.2	Optical performance requirements.....	25
8.3	Mechanical performance requirements.....	27
Annex A (normative) Adaptor matched reference plug details		35
Annex B (normative) Sample size and product sourcing requirements		36
Annex C (informative) Reference connector details		37
C.1	Reference plug.....	37
C.2	Test details.....	37
Bibliography		38

Figures

Figure 1 – Outline dimensions – Plug..... 11

Figure 2 – Outline dimensions – Adaptor 12

Figure 3 – Mating face and other limit dimensions – Plug 15

Figure 4 – Ferrule end face geometry – After termination..... 17

Figure 5 – Positioning of fibre core 18

Figure 6 – Ferrule end face geometry – Allowable undercut..... 19

Figure 7 – Requirements for the attenuation grades for the plug fibre core connected to the ideal reference 20

Figure 8 – Mating face and other dimensions – Adaptor 21

Figure 9 – Pin gauge for adaptor 23

Tables

Table 1 – Ensured level of random attenuation 6

Table 2 – Preferred colour scheme 8

Table 3 – Plug variants 9

Table 4 – Adaptor variants..... 10

Table 5 – Geometrical parameters 18

Table 6 – Optical performance requirements 25

Table 7 – Mechanical performance requirements 27

Table 8 – Environmental performance requirements 32

Table A.1 35

Table B.1 36

Table C.1 37

Table C.2 37

1 Scope

1.1 Product definition

This standard contains the initial, start of life dimensional, optical, mechanical and environmental performance requirements which a terminated and assembled singlemode resilient alignment sleeve LSH-APC 8° simplex connector set (plug-adaptor-plug), adaptor and patchcord must meet in order for it to be categorised as an EN standard product.

Since different variants and grades of performance are permitted, product marking details are given in 3.5.

1.2 Intermateability

Although all products conforming to the requirements of this standard will intermate, the resulting level of random attenuation performance will only be ensured in accordance with Table 1. The intention is that this will be true irrespective of the manufacturing source(s) of the product.

When intermating plug variants having different attenuation grades the resulting level of attenuation can not be assured to be any better than the worst attenuation grade.

The intermating of a grade C plug with a grade B plug will result in an uncertain level of random attenuation performance.

Table 1 – Ensured level of random attenuation

Plug variant/Attenuation grade	C	B
C	C	C
B	C	B

1.3 Operating environment

The tests selected combined with the severities and durations are representative of a Category U environment as defined in EN 61753-1.

1.4 Reliability

Whilst the anticipated service life expectancy of the product in this environment is 20 years, compliance with this standard does not guarantee the reliability of the product. This should be predicted using a recognised reliability assessment programme.

1.5 Quality assurance

Compliance with this standard does not guarantee the manufacturing consistency of the product. This should be maintained using a recognised quality assurance programme.

2 Normative references

The following referenced documents are indispensable for the application of this document. For dated references, only the edition cited applies. For undated references, the latest edition of the referenced document (including any amendments) applies.

EN 60793-2-50	Optical fibres – Part 2-50: Product specifications – Sectional specification for class B single-mode fibres (IEC 60793-2-50)
EN 61300-2-1	Fibre optic interconnecting devices and passive components - Basic test and measurement procedures - Part 2-1: Tests - Vibration (sinusoidal) (IEC 61300-2-1)
EN 61300-2-2	Part 2-2: Tests – Mating durability (IEC 61300-2-2)

This is a free preview. Purchase the entire publication at the link below:

[Product Page](#)

-
- [Looking for additional Standards? Visit Intertek Inform Infostore](#)
 - [Learn about LexConnect, All Jurisdictions, Standards referenced in Australian legislation](#)
-