



NSAI
Standards

Irish Standard
I.S. EN 50041:1988

Low Voltage Switchgear and Controlgear
for Industrial Use. Control Switches.
Position Switches 42,5x80. Dimensions
and Characteristics.

I.S. EN 50041:1988

Incorporating amendments/corrigenda issued since publication:

The National Standards Authority of Ireland (NSAI) produces the following categories of formal documents:

I.S. xxx: Irish Standard – national specification based on the consensus of an expert panel and subject to public consultation.

S.R. xxx: Standard Recommendation - recommendation based on the consensus of an expert panel and subject to public consultation.

SWiFT xxx: A rapidly developed recommendatory document based on the consensus of the participants of an NSAI workshop.

This document replaces:

This document is based on:
EN 50041:1981

Published:
1 July, 1981

This document was published
under the authority of the NSAI
and comes into effect on:
16 June, 1989

ICS number:
29.130.20

NSAI
1 Swift Square,
Northwood, Santry
Dublin 9

T +353 1 807 3800
F +353 1 807 3838
E standards@nsai.ie
W NSAI.ie

Sales:
T +353 1 857 6730
F +353 1 857 6729
W standards.ie

Údarás um Chaighdeáin Náisiúnta na hÉireann

EUROPEAN STANDARD
NORME EUROPÉENNE
EUROPÄISCHE NORM

EN 50 041
Edition 1
July 1981

UDC: 621.316.542:621.3.027.2

Key words: electrical switchgear and controlgear, industrial use, low voltage, control switch, switch, position switch, dimensions, characteristics, operation point

English version

Low voltage switchgear and controlgear for industrial use
Control switches
Position switches 42,5 × 80
Dimensions and characteristics

Appareillage industriel à basse tension —
Auxiliaires de commande. Interrupteurs de
position 42,5 x 80. Dimensions et
caractéristiques

Industrielle Niederspannungs-Schaltgeräte —
Hilfsstromschalter. Positionsschalter
42,5 x 80. Masse und Kennwerte

This European Standard was accepted by CENELEC on 1981-07-07. The CENELEC members are bound to adhere to the CENELEC Internal Regulations which specify under which conditions this European Standard has to be given, without any alteration, the status of a national standard.

Up-to-date lists and bibliographical references concerning such national standards may be obtained on application to the CENELEC General Secretariat or to any CENELEC member.

This European Standard is established by CENELEC in three official versions (English, French, German). A translation made by another member under its own responsibility, in its own language, and notified to CENELEC has the same status.

CENELEC members are the national electrotechnical committees of Austria, Belgium, Denmark, Finland, France, Germany, Greece, Ireland, Italy, Luxemburg, Netherlands, Norway, Portugal, Spain, Sweden, Switzerland and United Kingdom.

CENELEC

European Committee for Electrotechnical Standardization
Comité Européen de Normalisation Electrotechnique
Europäisches Komitee für Elektrotechnische Normung

General Secretariat: rue Bréderode 2, Boîte 5, B-1000 Brussels

This European Standard has been prepared by Technical Committee CENELEC TC 17X.

1. Scope

This standard applies to certain position switches with automatic return actuator for industrial use, the standardized dimensions of which and the characteristics necessary for their application are given below.

Electric characteristics shall conform to those of IEC Publication 337 – Control switches.

This standard includes the six following types:

- roller lever (form A),
- rounded plunger (form B),
- plunger with roller (form C),
- rod lever (form D),
- rounded plunger side actuator (form F),
- roller plunger side actuator (form G).

The devices are fitted with either snap action designated (1) in clause 3 or slow make and break, designated (2) in clause 3, mechanisms.

2. Dimensions

The dimensions shown in figures 1, 2, 3, 4, 5, 6 and 7 are applicable to switches in a new condition.

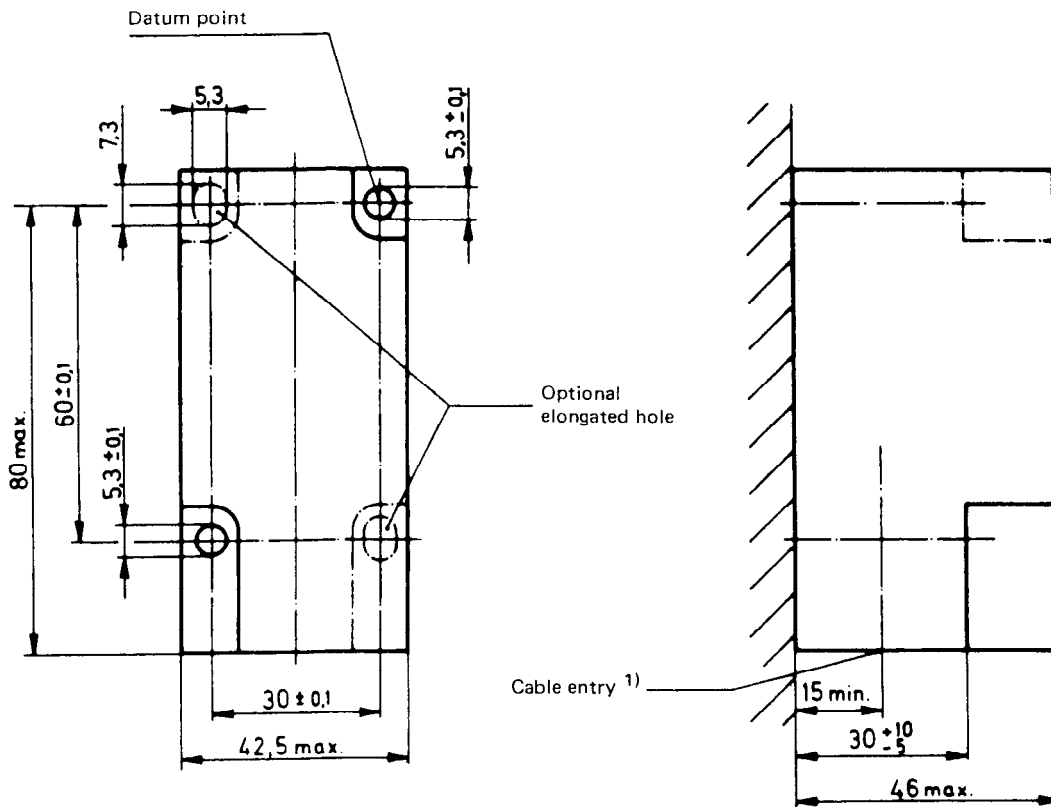
The operating point corresponds to the opening of the break-contact element. The operating point can drift during the life of the switch. The manufacturer shall indicate the direction of the drift.

The differential travel (difference between the operating and reset points) of a position switch with snap action mechanism shall be stated by the manufacturer; it is shown as *H* in figures 2, 3, 4, 6 and 7, and differs dependent upon the type of actuator.

Apart from the dimensions indicated, the design of these devices is not restricted.

Dimensions are given in mm.

2.1 Enclosure



1) The threaded cable entry standardized in each country (Pg 13,5 – CM 12, etc.) may be used until the publication of an international standard. The manufacturer shall specify the thread.

A cable with an external diameter not exceeding 12 mm shall pass through the cable entry.

Figure 1. Dimensions of enclosure

This is a free preview. Purchase the entire publication at the link below:

[Product Page](#)

-
- [Looking for additional Standards? Visit Intertek Inform Infostore](#)
 - [Learn about LexConnect, All Jurisdictions, Standards referenced in Australian legislation](#)
-