



NSAI
Standards

Irish Standard
I.S. EN 16272-6:2014

Railway applications - Track - Noise barriers and related devices acting on airborne sound propagation - Test method for determining the acoustic performance - Part 6: Intrinsic characteristics - In situ values of airborne sound insulation under direct sound field conditions

I.S. EN 16272-6:2014

Incorporating amendments/corrigenda/National Annexes issued since publication:

The National Standards Authority of Ireland (NSAI) produces the following categories of formal documents:

I.S. xxx: Irish Standard — national specification based on the consensus of an expert panel and subject to public consultation.

S.R. xxx: Standard Recommendation — recommendation based on the consensus of an expert panel and subject to public consultation.

SWiFT xxx: A rapidly developed recommendatory document based on the consensus of the participants of an NSAI workshop.

This document replaces/revises/consolidates the NSAI adoption of the document(s) indicated on the CEN/CENELEC cover/Foreword and the following National document(s):

NOTE: The date of any NSAI previous adoption may not match the date of its original CEN/CENELEC document.

This document is based on:

EN 16272-6:2014

Published:

2014-10-22

This document was published under the authority of the NSAI and comes into effect on:

2014-11-08

ICS number:

17.140.30

93.080.30

NOTE: If blank see CEN/CENELEC cover page

NSAI
1 Swift Square,
Northwood, Santry
Dublin 9

T +353 1 807 3800
F +353 1 807 3838
E standards@nsai.ie
W NSAI.ie

Sales:
T +353 1 857 6730
F +353 1 857 6729
W standards.ie

Údarás um Chaighdeáin Náisiúnta na hÉireann

EUROPEAN STANDARD

EN 16272-6

NORME EUROPÉENNE

EUROPÄISCHE NORM

October 2014

ICS 17.140.30; 93.080.30

English Version

Railway applications - Track - Noise barriers and related devices acting on airborne sound propagation - Test method for determining the acoustic performance - Part 6: Intrinsic characteristics - In situ values of airborne sound insulation under direct sound field conditions

Applications ferroviaires - Dispositifs de réduction du bruit - Méthode d'essai pour la détermination des performances acoustiques - Partie 6 : Caractéristiques intrinsèques - Valeurs in situ de l'isolation acoustique au bruit aérien dans des conditions de champ acoustique direct

Bahnanwendungen - Oberbau - Lärmschutzwände und verwandte Vorrichtungen zur Beeinflussung der Luftschallausbreitung - Prüfverfahren zur Bestimmung der akustischen Eigenschaften - Teil 6: Produktspezifische Merkmale - In-situ-Werte zur Luftschalldämmung in gerichteten Schallfeldern

This European Standard was approved by CEN on 30 April 2014.

CEN members are bound to comply with the CEN/CENELEC Internal Regulations which stipulate the conditions for giving this European Standard the status of a national standard without any alteration. Up-to-date lists and bibliographical references concerning such national standards may be obtained on application to the CEN-CENELEC Management Centre or to any CEN member.

This European Standard exists in three official versions (English, French, German). A version in any other language made by translation under the responsibility of a CEN member into its own language and notified to the CEN-CENELEC Management Centre has the same status as the official versions.

CEN members are the national standards bodies of Austria, Belgium, Bulgaria, Croatia, Cyprus, Czech Republic, Denmark, Estonia, Finland, Former Yugoslav Republic of Macedonia, France, Germany, Greece, Hungary, Iceland, Ireland, Italy, Latvia, Lithuania, Luxembourg, Malta, Netherlands, Norway, Poland, Portugal, Romania, Slovakia, Slovenia, Spain, Sweden, Switzerland, Turkey and United Kingdom.



EUROPEAN COMMITTEE FOR STANDARDIZATION
COMITÉ EUROPÉEN DE NORMALISATION
EUROPÄISCHES KOMITEE FÜR NORMUNG

CEN-CENELEC Management Centre: Avenue Marnix 17, B-1000 Brussels

Contents	Page
Foreword.....	4
Introduction	5
1 Scope	8
2 Normative references	8
3 Terms and definitions	8
4 Symbols and abbreviations	13
5 Sound insulation index measurements	15
5.1 General principle.....	15
5.2 Measured quantity	15
5.3 Test arrangement.....	16
5.4 Measuring equipment.....	20
5.4.1 Components of the measuring system	20
5.4.2 Sound source	21
5.4.3 Test signal	21
5.5 Data processing	21
5.5.1 Calibration	21
5.5.2 Sample rate.....	22
5.5.3 Background noise.....	22
5.5.4 Scanning technique using a single microphone.....	22
5.5.5 Scanning technique using nine microphones	23
5.5.6 Adrienne temporal window	23
5.5.7 Placement of the Adrienne temporal window	24
5.5.8 Low frequency limit and sample size	25
5.6 Positioning of the measuring equipment.....	26
5.6.1 Selection of the measurement positions	26
5.6.2 Post measurements.....	27
5.6.3 Additional measurements	27
5.6.4 Reflecting objects	27
5.6.5 Safety considerations	27
5.7 Sample surface and meteorological conditions.....	28
5.7.1 Condition of the sample surface	28
5.7.2 Wind	28
5.7.3 Air temperature	28
6 Measurement uncertainty	28
7 Measuring procedure	28
8 Test report	29
8.1 Expression of results	29
8.2 Further information.....	29
Annex A (informative) Measurement uncertainty	31
A.1 General.....	31
A.2 Expression for the calculation of sound insulation index	31
A.3 Contributions to measurement uncertainty	32
A.4 Expanded uncertainty of measurement	33
A.5 Measurement uncertainty based upon reproducibility data	33
Annex B (informative) Template of test report on airborne sound insulation of railway noise barriers	34

B.1	Template of test report	34
B.2	Test setup (example)	36
B.3	Test object and test situation (example)	38
B.4	Results (example)	40
	Bibliography	46

EN 16272-6:2014 (E)**Foreword**

This document (EN 16272-6:2014) has been prepared by Technical Committee CEN/TC 256 "Railway applications", the secretariat of which is held by DIN.

This European Standard shall be given the status of a national standard, either by publication of an identical text or by endorsement, at the latest by April 2015 and conflicting national standards shall be withdrawn at the latest by April 2015.

Attention is drawn to the possibility that some of the elements of this document may be the subject of patent rights. CEN [and/or CENELEC] shall not be held responsible for identifying any or all such patent rights.

This document has been prepared under a mandate given to CEN by the European Commission and the European Free Trade Association.

This European Standard is one part of the series EN 16272, *Railway applications — Track — Noise barriers and related devices acting on airborne sound propagation — Test method for determining the acoustic performance*, as listed below:

- *Part 1: Intrinsic characteristics — Sound absorption in the laboratory under diffuse sound field conditions;*
- *Part 2: Intrinsic characteristics — Airborne sound insulation in the laboratory under diffuse sound field conditions;*
- *Part 3-1: Normalized railway noise spectrum and single number ratings for diffuse field applications;*
- *Part 3-2: Normalized railway noise spectrum and single number ratings for direct field applications;*
- *Part 4: Intrinsic characteristics — In situ values of sound diffraction under direct sound field conditions*
- *Part 5: Intrinsic characteristics — In situ values of sound reflection under direct sound field conditions (CEN/TS 16272-5);*
- *Part 6: Intrinsic characteristics — In situ values of airborne sound insulation under direct sound field conditions.*

It will be read in conjunction with:

- EN 16272-2;
- EN 16272-3-1;
- EN 16272-3-2.

According to the CEN-CENELEC Internal Regulations, the national standards organizations of the following countries are bound to implement this European Standard: Austria, Belgium, Bulgaria, Croatia, Cyprus, Czech Republic, Denmark, Estonia, Finland, Former Yugoslav Republic of Macedonia, France, Germany, Greece, Hungary, Iceland, Ireland, Italy, Latvia, Lithuania, Luxembourg, Malta, Netherlands, Norway, Poland, Portugal, Romania, Slovakia, Slovenia, Spain, Sweden, Switzerland, Turkey and the United Kingdom.

Introduction

Noise barriers installed along railways need to provide adequate sound insulation so that sound transmitted directly through the device is not significant compared to the sound diffracted over the top. This European Standard specifies a test method for assessing the airborne sound insulation performance of noise barriers and related devices acting on airborne sound propagation designed for railways in non-reverberant conditions (a measure of intrinsic performance). It can be applied *in situ*, i.e. where the noise barriers are installed. The method can be applied without damaging the surface.

The method can be used to qualify products to be installed along railways as well as to verify the compliance of installed noise barriers to design specifications. Regular application of the method can be used to verify the long term performance of noise barriers.

The method requires the averaging of results of measurements taken at different points behind the device under test. The method is able to investigate flat and non-flat products.

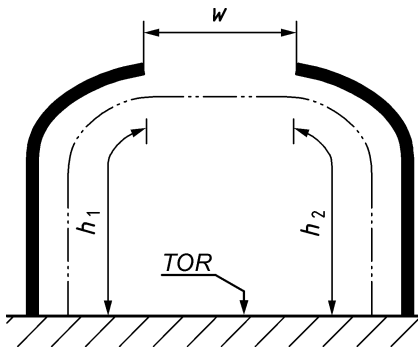
The measurement results of this method for airborne sound insulation are comparable but not identical with the results of the EN 16272-2 method, mainly because the present method uses a directional sound field, while the EN 16272-2 method assumes a diffuse sound field (where all angles of incidence are equally probable). The test method described in this European Standard should not be used to determine the intrinsic characteristics of airborne sound insulation for noise barriers to be installed in reverberant conditions, e.g. inside tunnels or deep trenches or under covers or very close to the rail track.

For the purpose of this European standard reverberant conditions are defined based on the geometric envelope, e , across the rail formed by the barriers, trench sides or buildings (the envelope does not include the railway surface) as shown by the dashed lines in Figure 1. Conditions are defined as being reverberant when the percentage of open space in the envelope is less than or equal to 25 %, i.e.:

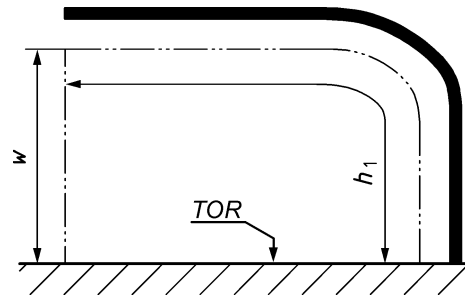
$$\text{Reverberant conditions occur when } w/e \leq 0,25, \text{ where } e = (w + h_1 + h_2)$$

This criterion is applied also to the open space between the train body and the barrier surface.

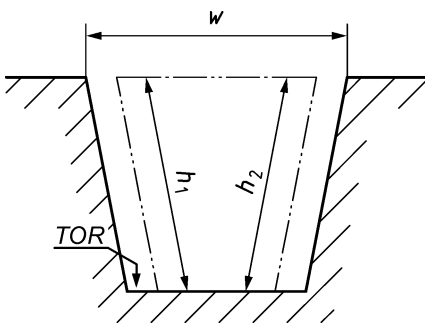
EN 16272-6:2014 (E)



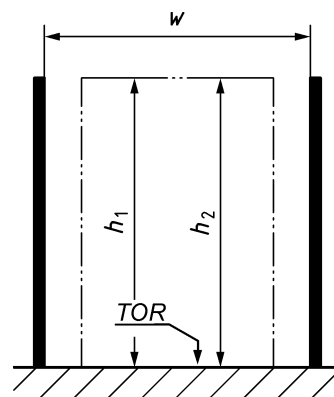
a) Partial cover on both sides of the railway; envelope, $e = w + h_1 + h_2$



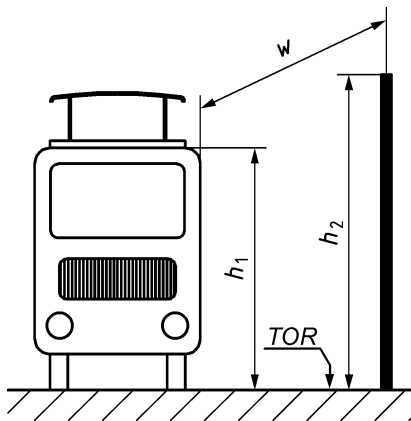
b) Partial cover on one side of the railway; $e = w + h_1$



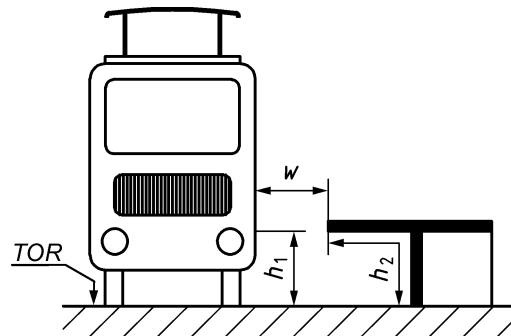
c) Deep trench envelope, $e = w + h_1 + h_2$



d) Tall barriers or buildings; envelope, $e = w + h_1 + h_2$



e) Train passing close to a noise barrier envelope, $e = w + h_1 + h_2$



f) Train passing close to a platform at the station, $e = w + h_1 + h_2$

Key

TOR Top of Rail (railway surface)

w width of open space

Figure 1 — (not to scale) Sketch of the reverberant condition check in six cases

This European Standard introduces a specific quantity, called sound insulation index, to define the airborne sound insulation of a noise barrier. This quantity should not be confused with the sound reduction index used in building acoustics, sometimes also called transmission loss. Research studies suggest that a very good correlation exists

between data measured according to EN 16272-2 and data measured according to the method described in the present document.

This method may be used to qualify noise barriers for other applications, e.g. to be installed along roads or nearby industrial sites. In this case the single-number ratings should be calculated using an appropriate spectrum.

EN 16272-6:2014 (E)

1 Scope

This European Standard describes a test method for measuring a quantity representative of the intrinsic characteristics of airborne sound insulation for railway noise barriers: the sound insulation index.

The test method is intended for the following applications:

- determination of the intrinsic characteristics of airborne sound insulation of noise barriers to be installed along railways, to be measured either on typical installations alongside railways or on a relevant sample section;
- determination of the *in situ* intrinsic characteristics of airborne sound insulation of noise barriers in actual use;
- comparison of design specifications with actual performance data after the completion of the construction work;
- verification of the long term performance of noise barriers (with a repeated application of the method);
- interactive design process of new products, including the formulation of installation manuals.

The test method is not intended for the following applications:

- determination of the intrinsic characteristics of airborne sound insulation of noise barriers to be installed in reverberant conditions, e.g. inside tunnels or deep trenches or under covers.

Results are expressed as a function of frequency in one-third octave bands, where possible, between 100 Hz and 5 kHz. If it is not possible to get valid measurement results over the whole frequency range indicated, the results will be given in a restricted frequency range and the reasons for the restriction(s) will be clearly reported.

All noise reducing devices different from noise barriers and related devices acting on airborne sound propagation, e.g. devices for attenuation of ground borne vibration and on board devices are out of the scope of this European Standard.

2 Normative references

The following documents, in whole or in part, are normatively referenced in this document and are indispensable for its application. For dated references, only the edition cited applies. For undated references, the latest edition of the referenced document (including any amendments) applies.

EN 16272-2, *Railway applications — Track — Noise barriers and related devices acting on airborne sound propagation — Test method for determining the acoustic performance — Part 2: Intrinsic characteristics — Airborne sound insulation in the laboratory under diffuse sound field conditions*

EN 16272-3-2, *Railway applications — Track — Noise barriers and related devices acting on airborne sound propagation — Test method for determining the acoustic performance — Part 3-2: Normalized railway noise spectrum and single number ratings for direct field applications*

EN 61672-1, *Electroacoustics — Sound level meters — Part 1: Specifications (IEC 61672-1)*

ISO/IEC Guide 98-3, *Uncertainty of measurement — Part 3: Guide to the expression of uncertainty in measurement (GUM:1995)*

3 Terms and definitions

For the purposes of this document, the following terms and definitions apply.

This is a free preview. Purchase the entire publication at the link below:

[Product Page](#)

-
- [Looking for additional Standards? Visit Intertek Inform Infostore](#)
 - [Learn about LexConnect, All Jurisdictions, Standards referenced in Australian legislation](#)
-