



**NSAI**  
Standards

Irish Standard  
I.S. EN 567:2013

# Mountaineering equipment - Rope clamps - Safety requirements and test methods

## I.S. EN 567:2013

*Incorporating amendments/corrigenda/National Annexes issued since publication:*

The National Standards Authority of Ireland (NSAI) produces the following categories of formal documents:

I.S. xxx: Irish Standard – national specification based on the consensus of an expert panel and subject to public consultation.

S.R. xxx: Standard Recommendation - recommendation based on the consensus of an expert panel and subject to public consultation.

SWIFT xxx: A rapidly developed recommendatory document based on the consensus of the participants of an NSAI workshop.

*This document replaces:*  
EN 567:1997

*This document is based on:* EN 567:2013  
*Published:* 12 April, 2013

This document was published under the authority of the NSAI and comes into effect on:  
12 April, 2013

**ICS number:**  
97.220.40

**NSAI**  
1 Swift Square,  
Northwood, Santry  
Dublin 9

T +353 1 807 3800  
F +353 1 807 3838  
E standards@nsai.ie  
W NSAI.ie

**Sales:**  
T +353 1 857 6730  
F +353 1 857 6729  
W standards.ie

Údarás um Chaighdeáin Náisiúnta na hÉireann

English Version

## Mountaineering equipment - Rope clamps - Safety requirements and test methods

Équipement d'alpinisme et d'escalade - Bloqueurs -  
Exigences de sécurité et méthodes d'essai

Bergsteigerausrüstung - Seilklemmen -  
Sicherheitstechnische Anforderungen und Prüfverfahren

This European Standard was approved by CEN on 12 January 2013.

CEN members are bound to comply with the CEN/CENELEC Internal Regulations which stipulate the conditions for giving this European Standard the status of a national standard without any alteration. Up-to-date lists and bibliographical references concerning such national standards may be obtained on application to the CEN-CENELEC Management Centre or to any CEN member.

This European Standard exists in three official versions (English, French, German). A version in any other language made by translation under the responsibility of a CEN member into its own language and notified to the CEN-CENELEC Management Centre has the same status as the official versions.

CEN members are the national standards bodies of Austria, Belgium, Bulgaria, Croatia, Cyprus, Czech Republic, Denmark, Estonia, Finland, Former Yugoslav Republic of Macedonia, France, Germany, Greece, Hungary, Iceland, Ireland, Italy, Latvia, Lithuania, Luxembourg, Malta, Netherlands, Norway, Poland, Portugal, Romania, Slovakia, Slovenia, Spain, Sweden, Switzerland, Turkey and United Kingdom.



EUROPEAN COMMITTEE FOR STANDARDIZATION  
COMITÉ EUROPÉEN DE NORMALISATION  
EUROPÄISCHES KOMITEE FÜR NORMUNG

**Management Centre: Avenue Marnix 17, B-1000 Brussels**

<b>Contents</b>	<b>Page</b>
<b>Foreword</b> .....	<b>3</b>
<b>Introduction</b> .....	<b>4</b>
<b>1 Scope</b> .....	<b>5</b>
<b>2 Normative references</b> .....	<b>5</b>
<b>3 Terms and definitions</b> .....	<b>5</b>
<b>4 Safety requirements</b> .....	<b>5</b>
<b>4.1 Design</b> .....	<b>5</b>
<b>4.2 Strength</b> .....	<b>6</b>
<b>5 Test methods</b> .....	<b>6</b>
<b>5.1 Test conditions</b> .....	<b>6</b>
<b>5.2 Examination of design</b> .....	<b>6</b>
<b>5.2.1 General</b> .....	<b>6</b>
<b>5.2.2 Function</b> .....	<b>6</b>
<b>5.2.3 Attachment</b> .....	<b>6</b>
<b>5.3 Strength test</b> .....	<b>7</b>
<b>5.3.1 Determination of the strength</b> .....	<b>7</b>
<b>5.3.2 Pushing test</b> .....	<b>7</b>
<b>5.3.3 Pulling test</b> .....	<b>8</b>
<b>6 Marking</b> .....	<b>8</b>
<b>7 Information supplied by the manufacturer</b> .....	<b>9</b>
<b>Annex A (informative) Standards on mountaineering equipment</b> .....	<b>10</b>
<b>Annex ZA (informative) Relationship between this European Standard and the Essential Requirements of EU Directive 89/686/EEC Personal protective equipment</b> .....	<b>11</b>
<b>Bibliography</b> .....	<b>12</b>

## Foreword

This document (EN 567:2013) has been prepared by Technical Committee CEN/TC 136 “Sports, playground and other recreational facilities and equipment”, the secretariat of which is held by DIN.

This European Standard shall be given the status of a national standard, either by publication of an identical text or by endorsement, at the latest by September 2013, and conflicting national standards shall be withdrawn at the latest by September 2013.

Attention is drawn to the possibility that some of the elements of this document may be the subject of patent rights. CEN [and/or CENELEC] shall not be held responsible for identifying any or all such patent rights.

This document supersedes EN 567:1997.

This document has been prepared under a mandate given to CEN by the European Commission and the European Free Trade Association, and supports essential requirements of EU Directive(s).

For relationship with EU Directive(s), see informative Annex ZA, which is an integral part of this document.

In comparison with the previous edition EN 567:1997, the following significant changes have been made:

- a) editorial revision;
- b) introduction of new test methods to test the prevention of an accidentally detachment of the rope from the rope clamp;
- c) update of Annex A.

According to the CEN-CENELEC Internal Regulations, the national standards organisations of the following countries are bound to implement this European Standard: Austria, Belgium, Bulgaria, Croatia, Cyprus, Czech Republic, Denmark, Estonia, Finland, Former Yugoslav Republic of Macedonia, France, Germany, Greece, Hungary, Iceland, Ireland, Italy, Latvia, Lithuania, Luxembourg, Malta, Netherlands, Norway, Poland, Portugal, Romania, Slovakia, Slovenia, Spain, Sweden, Switzerland, Turkey and the United Kingdom.

## **Introduction**

The text is based on UIAA-Standard 126 (International Mountaineering and Climbing Federation), which has been developed with international participation.

This European Standard is one of a package of standards for mountaineering equipment, see Annex A.

## 1 Scope

This European Standard applies to rope clamps used with dynamic mountaineering ropes according to EN 892 or accessory cord according to EN 564 and low stretch kernmantel ropes according to EN 1891.

## 2 Normative references

The following documents, in whole or in part, are normatively referenced in this document and are indispensable for its application. For dated references, only the edition cited applies. For undated references, the latest edition of the referenced document (including any amendments) applies.

EN 564, *Mountaineering equipment — Accessory cord — Safety requirements and test methods*

EN 892, *Mountaineering equipment — Dynamic mountaineering ropes — Safety requirements and test methods*

EN 1891, *Personal protective equipment for the prevention of falls from a height — Low stretch kernmantel ropes*

## 3 Terms and definitions

For the purposes of this document, the following terms and definitions apply.

### 3.1

#### **rope clamp**

mechanical device which, if attached to a rope or an accessory cord of appropriate diameter, will clamp under load in one direction and move freely in the opposite direction

### 3.2

#### **locking device**

device that, when closed around a rope, prevents the unintended removal of the rope from the rope clamp

## 4 Safety requirements

### 4.1 Design

**4.1.1** Rope clamps shall have a locking device or similar mechanism that, if closed prevents a rope or an accessory cord with a diameter within the range marked on the rope clamp (see Clause 6) from being removed from the rope clamp. The rope clamps shall be designed in such a way that when used in accordance with the manufacturer's instructions, at least two independent actions shall be needed, before the rope or accessory cord can be released from the rope clamp.

**4.1.2** When tested according to 5.2.2 rope clamps shall clamp onto a rope or an accessory cord in one direction and to move freely in the opposite direction.

**4.1.3** When tested according to 5.3.1 rope clamps shall not completely break the rope or accessory cord.

**4.1.4** When tested according to 5.2.3 rope clamps shall have an attachment point of at least diameter 13 mm (see Figure 1). The edges of all openings for handles and connectors or sling attachment shall be as shown in Figure 1.

**4.1.5** When tested according to 5.2.1 all edges of a rope clamp shall be free of burrs.

## 4.2 Strength

4.2.1 When tested according to 5.3.1, rope clamps with a rope or accessory cord of diameter within the range marked on the rope clamp (see Clause 6) attached shall show no visible signs of damage or deformation which can impair its function.

Dimensions in millimetres

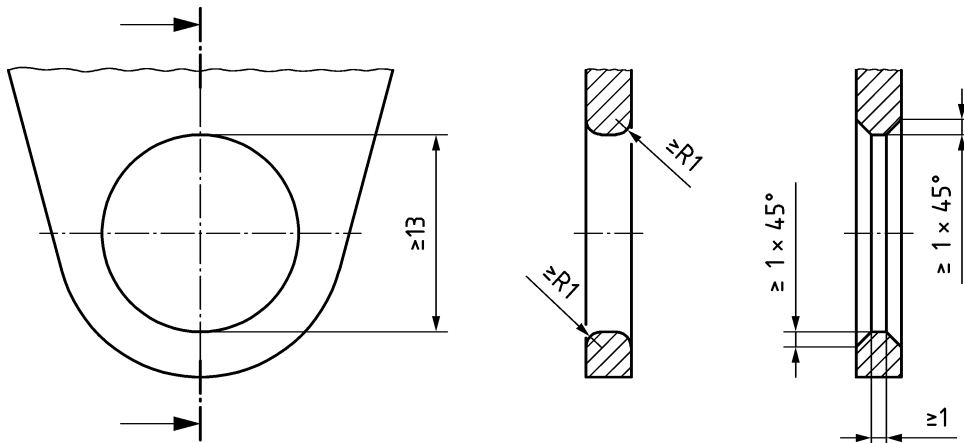


Figure 1 — Edges of openings

4.2.2 When tested according to 5.3.2 the rope or accessory cord shall not be detached from the rope clamp at the force of at least 400 N.

4.2.3 When tested according to 5.3.3 the rope or accessory cord shall not be detached from the rope clamp at the force of at least 2 000 N.

## 5 Test methods

### 5.1 Test conditions

Carry out the tests at a temperature of  $(23 \pm 5)$  °C.

### 5.2 Examination of design

#### 5.2.1 General

Test by tactile examination that the edges of the rope clamp are free of burrs.

#### 5.2.2 Function

With the locking device closed and a rope or accessory cord of maximum diameter, as marked on the rope clamp, check that the rope or accessory cord cannot be removed sideways. Check also, by pulling by hand, that the rope clamp locks in one direction and can slip in the opposite direction. Repeat the checks using a rope or accessory cord of minimum diameter as marked on the rope clamp.

#### 5.2.3 Attachment

Determine the dimension of the attachment opening (see 4.1.4) by measuring with a bar of  $(13^{+0,01}_0)$  mm diameter.



This is a free preview. Purchase the entire publication at the link below:

[Product Page](#)

- 
- [Looking for additional Standards? Visit Intertek Inform Infostore](#)
  - [Learn about LexConnect, All Jurisdictions, Standards referenced in Australian legislation](#)
-