



NSAI
Standards

Irish Standard
I.S. EN 16005:2012&AC:2015

Power operated pedestrian doorsets - Safety in use - Requirements and test methods

I.S. EN 16005:2012&AC:2015

Incorporating amendments/corrigenda/National Annexes issued since publication:

EN 16005:2012/AC:2015

The National Standards Authority of Ireland (NSAI) produces the following categories of formal documents:

I.S. xxx: Irish Standard — national specification based on the consensus of an expert panel and subject to public consultation.

S.R. xxx: Standard Recommendation — recommendation based on the consensus of an expert panel and subject to public consultation.

SWiFT xxx: A rapidly developed recommendatory document based on the consensus of the participants of an NSAI workshop.

This document replaces/revises/consolidates the NSAI adoption of the document(s) indicated on the CEN/CENELEC cover/Foreword and the following National document(s):

NOTE: The date of any NSAI previous adoption may not match the date of its original CEN/CENELEC document.

This document is based on:

EN 16005:2012

Published:

2012-10-10

This document was published under the authority of the NSAI and comes into effect on:

2015-08-29

ICS number:

91.060.50

NOTE: If blank see CEN/CENELEC cover page

NSAI
1 Swift Square,
Northwood, Santry
Dublin 9

T +353 1 807 3800
F +353 1 807 3838
E standards@nsai.ie
W NSAI.ie

Sales:
T +353 1 857 6730
F +353 1 857 6729
W standards.ie

Údarás um Chaighdeáin Náisiúnta na hÉireann

National Foreword

I.S. EN 16005:2012&AC:2015 is the adopted Irish version of the European Document EN 16005:2012, Power operated pedestrian doorsets - Safety in use - Requirements and test methods

This document does not purport to include all the necessary provisions of a contract. Users are responsible for its correct application.

Compliance with this document does not of itself confer immunity from legal obligations.

In line with international standards practice the decimal point is shown as a comma (,) throughout this document.

This page is intentionally left blank

EUROPEAN STANDARD

EN 16005:2012/AC

NORME EUROPÉENNE

August 2015

EUROPÄISCHE NORM

Août 2015

August 2015

ICS 91.060.50

English version
Version Française
Deutsche Fassung

Power operated pedestrian doorsets - Safety in use - Requirements and
test methods

Blocs-portes motorisés pour piétons -
Sécurité d'utilisation - Exigences et
méthodes d'essai

Kraftbetätigte Türen - Nutzungssicherheit -
Anforderungen und Prüfverfahren

This corrigendum becomes effective on 12 August 2015 for incorporation in the three official language versions of the EN.

Ce corrigendum prendra effet le 12 août 2015 pour incorporation dans les trois versions linguistiques officielles de la EN.

Die Berichtigung tritt am 12. August 2015 zur Einarbeitung in die drei offiziellen Sprachfassungen der EN in Kraft.



EUROPEAN COMMITTEE FOR STANDARDIZATION
COMITÉ EUROPÉEN DE NORMALISATION
EUROPÄISCHES KOMITEE FÜR NORMUNG

CEN-CENELEC Management Centre: Avenue Marnix 17, B-1000 Brussels

© 2015 CEN All rights of exploitation in any form and by any means reserved worldwide for CEN national Members.
Tous droits d'exploitation sous quelque forme et de quelque manière que ce soit réservés dans le monde entier aux
membres nationaux du CEN.
Alle Rechte der Verwertung, gleich in welcher Form und in welchem Verfahren, sind weltweit den nationalen Mitgliedern
von CEN vorbehalten.

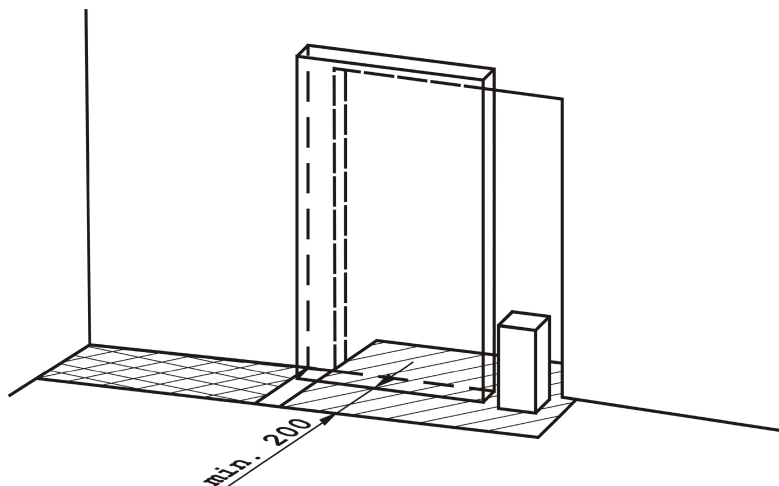
Ref. No.: EN 16005:2012/AC:2015 D/E/F

EN 16005:2012/AC:2015 (E)

1 Modification to Annex C (normative), Test for protective devices

Replace Figures C.2, C.3, C.4, C.5 and C.6 with the following ones:

“



Key

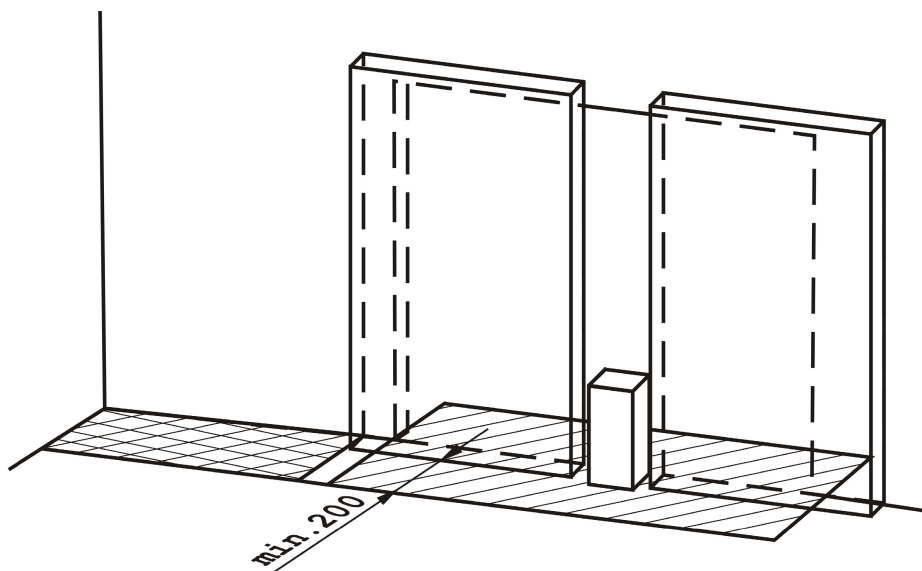


protection area



see 4.6.1 if applicable

Figure C.2 — Single-leaf sliding doorset



Key

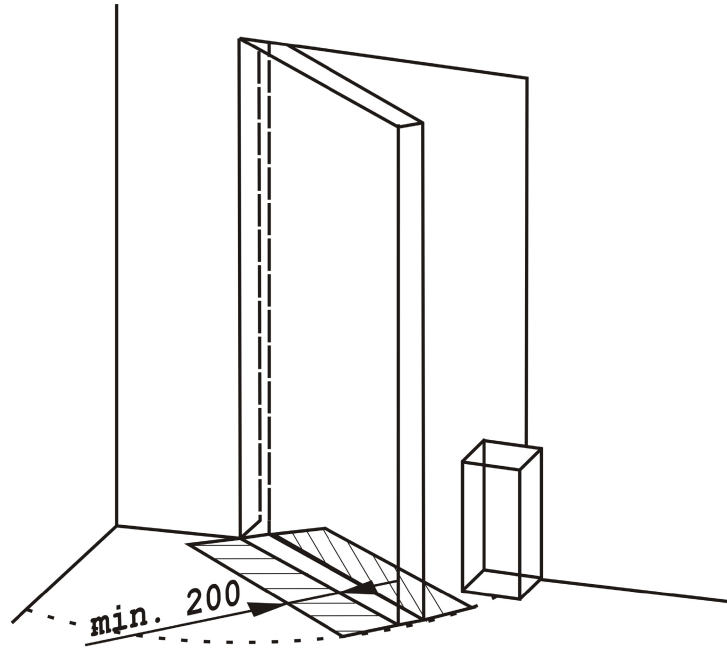


protection area



see 4.6.1 if applicable

Figure C.3 — Double-leaf sliding doorset

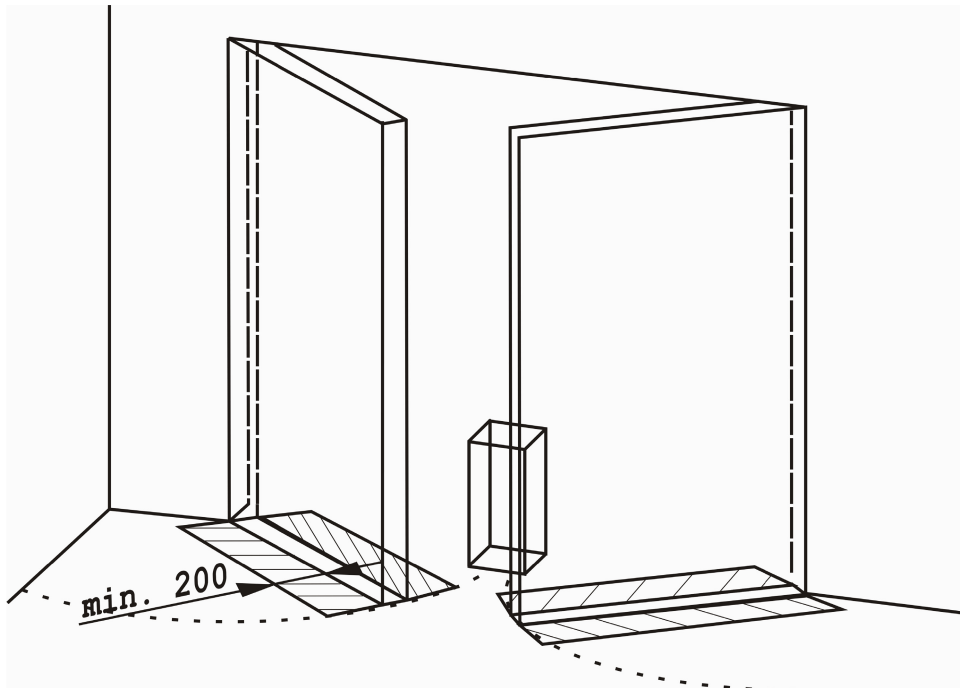


Key



protection area

Figure C.4 — Single-leaf swing doorset

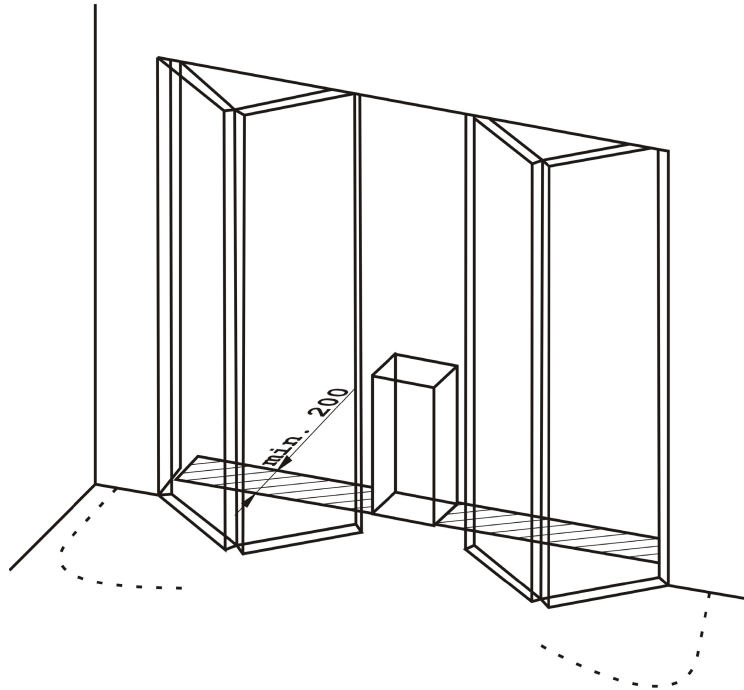


Key



protection area

Figure C.5 — Double-leaf swing doorset



Key



protection area

Figure C.6 — Folding doorset

2 Modifications to F.1, Speed settings for low energy power operated swing doorsets

In the 1st sentence, add "leaf" after "doorset".

In the sentence just after Table F.1, replace "doorsets" with "doorset leaves".

Replace the formula:

“

$$t = \frac{D\sqrt{m}}{2,26 \sqrt{J}}$$

where

- t is the time, in s;
- D is the doorset leaf width, in m;
- m is the mass of the doorset leaf, in kg;
- 2,26 is the conversion factor.

with:

“

$$t = \frac{D \sqrt{m}}{2,26}$$

where

- t is the time, in s;
- D is the doorset leaf width, in m;
- m is the mass of the doorset leaf, in kg;
- 2,26 is the conversion factor, in $\sqrt{\text{joule}}$.

”.

3 Modifications to F.2, Speed settings for low energy sliding doorsets

In the title, add “power operated” before “sliding”.

In the regular paragraph after Table F.2, replace "doorsets" with " doorset leaves".

Replace the last line in the key of the second formula:

“ V is the doorset speed, in m/s.”

with:

“ v is the doorset leaf speed, in m/s.”.

This page is intentionally left blank

EUROPEAN STANDARD

EN 16005

NORME EUROPÉENNE

EUROPÄISCHE NORM

October 2012

ICS 91.060.50

English Version

Power operated pedestrian doorsets - Safety in use - Requirements and test methods

Blocs-portes motorisés pour piétons - Sécurité d'utilisation -
Exigences et méthodes d'essai

Kraftbetätigte Türen - Nutzungssicherheit - Anforderungen
und Prüfverfahren

This European Standard was approved by CEN on 11 August 2012.

CEN members are bound to comply with the CEN/CENELEC Internal Regulations which stipulate the conditions for giving this European Standard the status of a national standard without any alteration. Up-to-date lists and bibliographical references concerning such national standards may be obtained on application to the CEN-CENELEC Management Centre or to any CEN member.

This European Standard exists in three official versions (English, French, German). A version in any other language made by translation under the responsibility of a CEN member into its own language and notified to the CEN-CENELEC Management Centre has the same status as the official versions.

CEN members are the national standards bodies of Austria, Belgium, Bulgaria, Croatia, Cyprus, Czech Republic, Denmark, Estonia, Finland, Former Yugoslav Republic of Macedonia, France, Germany, Greece, Hungary, Iceland, Ireland, Italy, Latvia, Lithuania, Luxembourg, Malta, Netherlands, Norway, Poland, Portugal, Romania, Slovakia, Slovenia, Spain, Sweden, Switzerland, Turkey and United Kingdom.



EUROPEAN COMMITTEE FOR STANDARDIZATION
COMITÉ EUROPÉEN DE NORMALISATION
EUROPÄISCHES KOMITEE FÜR NORMUNG

Management Centre: Avenue Marnix 17, B-1000 Brussels

Contents		Page
Foreword.....		4
Introduction.....		5
1	Scope	6
1.1	General.....	6
1.2	Exclusions	6
2	Normative references	7
3	Terms and definitions	8
4	Safety requirements and protective measures	10
4.1	General.....	10
4.2	Information for use	11
4.2.1	General.....	11
4.2.2	Marking	12
4.3	Drive	12
4.3.1	General.....	12
4.3.2	Switching off the drive	12
4.3.3	Electrical equipment.....	12
4.3.4	Hydraulic drives	13
4.3.5	Pneumatic drives	13
4.4	Doorset	13
4.4.1	General.....	13
4.4.2	Materials	13
4.4.3	Shape of leaves.....	13
4.4.4	Leaf travel limiting device.....	13
4.4.5	Manual operation	13
4.5	Activation.....	14
4.5.1	Automatic activation	14
4.5.2	Manual activation.....	15
4.5.3	Remote activation.....	15
4.6	Avoidance of danger points and protection at danger points	15
4.6.1	General.....	15
4.6.2	Power operated sliding doorsets	16
4.6.3	Power operated swing doorsets	17
4.6.4	Low energy movement.....	18
4.6.5	Power operated balanced doorsets	19
4.6.6	Power operated folding doorsets	19
4.6.7	Limitation of impact forces.....	20
4.6.8	Protective devices	21
4.6.9	Guards	22
4.6.10	Barriers	22
4.6.11	Safety distances	22
4.7	Additional requirements	23
4.7.1	Additional requirements for revolving doorsets	23
4.7.2	Additional requirements for doorsets in escape routes and emergency exits.....	24
5	Tests.....	26
5.1	General.....	26
5.2	Test conditions	26
5.2.1	General.....	26
5.2.2	Impact force measuring equipment.....	26
5.2.3	Field impact force measuring equipment	27
5.2.4	On site measurement	27
5.3	Product information for installation, operation and maintenance	27
5.4	Drive	27

5.5	Doorset	27
5.5.1	Materials	27
5.5.2	Shape of leaves	27
5.5.3	Leaf travel limiting device	27
5.6	Manual operation	28
5.7	Activation	28
5.8	Durability test	28
5.8.1	General	28
5.8.2	Testing under normal conditions	28
5.9	Special tests for hazards of revolving doorsets	29
5.10	Test results	30
Annex A	(informative) Illustration of some essential terms for various types of doorsets	31
Annex B	(normative) Measuring points	32
Annex C	(normative) Tests for protective devices	35
Annex D	(informative) Disabled person sign	42
Annex E	(informative) Emergency break-out sign	43
Annex F	(normative) Low energy doorsets	44
Annex G	(normative) Safeguarding of power operated swing doorsets	46
Annex H	(informative) Danger points at revolving doorsets	48
Annex I	(normative) Log book	51
Annex J	(informative) List of hazards, hazardous situations and hazardous events covered by this standard	52
Annex ZA	(informative) Relationship between this European Standard and the Essential Requirements of EU Directive 2006/42/EC	57
Bibliography	57

EN 16005:2012 (E)

Foreword

This document (EN 16005:2012) has been prepared by Technical Committee CEN/TC 33 “Doors, windows, shutters, building hardware and curtain walling”, the secretariat of which is held by AFNOR.

This European Standard shall be given the status of a national standard, either by publication of an identical text or by endorsement, at the latest by April 2013, and conflicting national standards shall be withdrawn at the latest by April 2013.

Attention is drawn to the possibility that some of the elements of this document may be the subject of patent rights. CEN [and/or CENELEC] shall not be held responsible for identifying any or all such patent rights.

This document has been prepared under a mandate given to CEN by the European Commission and the European Free Trade Association, and supports essential requirements of EU Directive(s).

For relationship with EU Directive(s), see informative Annex ZA, which is an integral part of this document.

This document is a supporting standard of the relevant product standard(s) for power operated pedestrian doorsets with or without fire resistance or smoke control characteristics.

According to the CEN/CENELEC Internal Regulations, the national standards organisations of the following countries are bound to implement this European Standard: Austria, Belgium, Bulgaria, Croatia, Cyprus, Czech Republic, Denmark, Estonia, Finland, Former Yugoslav Republic of Macedonia, France, Germany, Greece, Hungary, Iceland, Ireland, Italy, Latvia, Lithuania, Luxembourg, Malta, Netherlands, Norway, Poland, Portugal, Romania, Slovakia, Slovenia, Spain, Sweden, Switzerland, Turkey and the United Kingdom.

Introduction

This standard is a type C standard as stated in EN ISO 12100.

The machinery concerned and the extent to which hazards, hazardous situations and hazardous events are covered are indicated in the scope of this document.

When provisions of this type C standard are different from those which are stated in type A or B standards, the provisions of this type C standard take precedence over the provisions of the other standards, for machines that have been designed and built according to the provisions of this type C standard.

EN 16005:2012 (E)

1 Scope

1.1 General

This European Standard specifies requirements regarding design and test methods for external and internal power operated pedestrian doorsets. Such doorset constructions may be operated electro-mechanically, electro-hydraulically or pneumatically.

This European Standard covers safety in use of power operated pedestrian doorsets used for normal access as well as in escape routes and as fire resistance and/or smoke control doorsets.

The type of doorsets covered include power operated pedestrian sliding, swing and revolving doorsets, including balanced doorsets and folding doorsets with a horizontally moving leaf.

Power operated pass doorsets incorporated in other doorsets for which the main intended use is giving safe access for persons are covered by the scope of this European Standard.

This European Standard deals with all significant hazards, hazardous situations and events relevant to power operated doorsets when they are used as intended and under conditions of misuse which are reasonably foreseeable by the manufacturer (see Annex J).

1.2 Exclusions

This European Standard does not apply to:

- vertically moving doors;
- doors on lifts;
- doors on vehicles;
- power operated doors or gates mainly intended for vehicular traffic or access for goods;
- doors used in industrial processes;
- partition walls;
- doors outside the reach of people (such as crane gantry fences);
- traffic barriers;
- turnstiles;
- platform doors.

This European Standard does not cover special functions of doorsets, such as security in banks, airports, etc. or fire compartments, where conformity of the specific function with requirements of the application shall have the preference.

This European Standard does not cover operation in environments where the electromagnetic disturbances are outside the range of those specified in EN 61000-6-3.

This European Standard does not cover the radio part of operating devices of doorsets. If a radio-operating device is used, the relevant ETSI standards should be applied in addition.

This European Standard does not contain any specific requirement regarding noise emitted by a power operated doorset in relation to the Machinery Directive as it is not considered to be a significant hazard.

This European Standard is not applicable to power operated pedestrian doorsets in use before the date of publication of this document by CEN.

This European Standard does not cover operation in environments where there is a risk of explosion.

2 Normative references

The following documents, in whole or in part, are normatively referenced in this document and are indispensable for its application. For dated references, only the edition cited applies. For undated references, the latest edition of the referenced document (including any amendments) applies.

EN 349 *Safety of machinery — Minimum gaps to avoid crushing of parts of the human body*

EN 1760-1, *Safety of machinery — Pressure sensitive protective devices — Part 1: General principles for the design and testing of pressure sensitive mats and pressure sensitive floors*

EN 1760-2, *Safety of machinery — Pressure sensitive protective devices — Part 2: General principles for the design and testing of pressure sensitive edges and pressure sensitive bars*

EN 12150-1, *Glass in building — Thermally toughened soda lime silicate safety glass — Part 1: Definition and description*

EN 12433-1:1999, *Industrial, commercial and garage doors and gates — Terminology — Part 1: Types of doors*

EN 12433-2:1999, *Industrial, commercial and garage doors and gates — Terminology — Part 2: Parts of doors*

EN 12519:2004, *Windows and pedestrian doors — Terminology*

EN 12978, *Industrial, commercial and garage doors and gates — Safety devices for power operated doors and gates — Requirements and test methods*

EN 14351-1:2006+A1:2010, *Windows and doors — Product standard, performance characteristics — Part 1: Windows and external pedestrian doorsets without resistance to fire and/or smoke leakage characteristics*

EN 60335-2-103, *Household and similar electrical appliances — Safety — Part 2-103: Particular requirements for drives for gates, doors and windows*

EN 60529, *Degrees of protection provided by enclosures (IP Code)*

EN ISO 4413:2010, *Hydraulic fluid power — General rules and safety requirements for systems and their components (ISO 4413:2010)*

EN ISO 4414:2010, *Pneumatic fluid power — General rules and safety requirements for systems and their components (ISO 4414:2010)*

EN ISO 12100:2010, *Safety of machinery — General principles for design — Risk assessment and risk reduction (ISO 12100:2010)*

EN ISO 12543-1, *Glass in building — Laminated glass and laminated safety glass — Part 1: Definitions and description of component parts (ISO 12543-1)*

EN ISO 12543-2, *Glass in building — Laminated glass and laminated safety glass — Part 2: Laminated safety glass (ISO 12543-2)*

This is a free preview. Purchase the entire publication at the link below:

[Product Page](#)

-
- [Looking for additional Standards? Visit Intertek Inform Infostore](#)
 - [Learn about LexConnect, All Jurisdictions, Standards referenced in Australian legislation](#)
-