



NSAI
Standards

Irish Standard
I.S. EN 50600-3-1:2016

Information technology - Data centre facilities and infrastructures - Part 3-1: Management and operational information

I.S. EN 50600-3-1:2016

Incorporating amendments/corrigenda/National Annexes issued since publication:

The National Standards Authority of Ireland (NSAI) produces the following categories of formal documents:

I.S. xxx: Irish Standard — national specification based on the consensus of an expert panel and subject to public consultation.

S.R. xxx: Standard Recommendation — recommendation based on the consensus of an expert panel and subject to public consultation.

SWiFT xxx: A rapidly developed recommendatory document based on the consensus of the participants of an NSAI workshop.

This document replaces/revises/consolidates the NSAI adoption of the document(s) indicated on the CEN/CENELEC cover/Foreword and the following National document(s):

NOTE: The date of any NSAI previous adoption may not match the date of its original CEN/CENELEC document.

This document is based on:

EN 50600-3-1:2016

Published:

2016-03-25

This document was published under the authority of the NSAI and comes into effect on:

2016-04-12

ICS number:

NOTE: If blank see CEN/CENELEC cover page

NSAI
1 Swift Square,
Northwood, Santry
Dublin 9

T +353 1 807 3800
F +353 1 807 3838
E standards@nsai.ie
W NSAI.ie

Sales:
T +353 1 857 6730
F +353 1 857 6729
W standards.ie

Údarás um Chaighdeáin Náisiúnta na hÉireann

National Foreword

I.S. EN 50600-3-1:2016 is the adopted Irish version of the European Document EN 50600-3-1:2016, Information technology - Data centre facilities and infrastructures - Part 3-1: Management and operational information

This document does not purport to include all the necessary provisions of a contract. Users are responsible for its correct application.

Compliance with this document does not of itself confer immunity from legal obligations.

In line with international standards practice the decimal point is shown as a comma (,) throughout this document.

This page is intentionally left blank

EUROPEAN STANDARD

EN 50600-3-1

NORME EUROPÉENNE

EUROPÄISCHE NORM

March 2016

ICS 35.020; 35.110; 35.160

English Version

Information technology - Data centre facilities and infrastructures - Part 3-1: Management and operational information

Technologie de l'information - Installation et infrastructures
de centres de traitement de données - Partie 3-1:
Informations de gestion et de fonctionnement

Informationstechnik - Einrichtungen und Infrastrukturen von
Rechenzentren - Teil 3-1: Informationen für das
Management und den Betrieb

This European Standard was approved by CENELEC on 2016-01-26. CENELEC members are bound to comply with the CEN/CENELEC Internal Regulations which stipulate the conditions for giving this European Standard the status of a national standard without any alteration.

Up-to-date lists and bibliographical references concerning such national standards may be obtained on application to the CEN-CENELEC Management Centre or to any CENELEC member.

This European Standard exists in three official versions (English, French, German). A version in any other language made by translation under the responsibility of a CENELEC member into its own language and notified to the CEN-CENELEC Management Centre has the same status as the official versions.

CENELEC members are the national electrotechnical committees of Austria, Belgium, Bulgaria, Croatia, Cyprus, the Czech Republic, Denmark, Estonia, Finland, Former Yugoslav Republic of Macedonia, France, Germany, Greece, Hungary, Iceland, Ireland, Italy, Latvia, Lithuania, Luxembourg, Malta, the Netherlands, Norway, Poland, Portugal, Romania, Slovakia, Slovenia, Spain, Sweden, Switzerland, Turkey and the United Kingdom.



European Committee for Electrotechnical Standardization
Comité Européen de Normalisation Electrotechnique
Europäisches Komitee für Elektrotechnische Normung

CEN-CENELEC Management Centre: Avenue Marnix 17, B-1000 Brussels

Contents

Page

European foreword.....	4
Introduction.....	5
1 Scope.....	8
2 Normative references.....	8
3 Terms, definitions and abbreviations	9
3.1 Terms and definitions	9
3.2 Abbreviations.....	10
4 Conformance	11
5 Operational information and parameters.....	11
5.1 General.....	11
5.2 Building construction as per EN 50600-2-1	12
5.3 Power distribution as per EN 50600-2-2	12
5.4 Environmental control as per EN 50600-2-3	13
5.5 Telecommunications cabling infrastructure as per EN 50600-2-4	15
5.6 Security systems as per EN 50600-2-5	15
6 Acceptance test.....	15
6.1 General.....	15
6.2 Building construction (EN 50600-2-1) tests	16
6.3 Power distribution (EN 50600-2-2) tests.....	16
6.4 Environmental control (EN 50600-2-3) tests	16
6.5 Telecommunications cabling infrastructure (EN 50600-2-4) tests	17
6.6 Security systems (EN 50600-2-5) tests.....	17
6.7 Energy efficiency enablement tests	17
6.8 Energy efficiency strategy tests	17
6.9 Monitoring tests.....	17
7 Operational processes	17
7.1 General.....	17
7.2 Operations management.....	18
7.3 Incident management.....	19
7.4 Change management	20
7.5 Asset and configuration management	21
7.6 Capacity management.....	22
8 Management processes	24
8.1 General.....	24

8.2	Availability management	25
8.3	Security management	26
8.4	Resource management	27
8.5	Energy management	30
8.6	Product lifecycle management	33
8.7	Cost management	34
8.8	Data centre strategy	35
8.9	Service level management	37
8.10	Customer management	38
	Annex A (informative) Example for process implementation	40
A.1	Prioritization of processes	40
A.2	Maturity	40
	Annex B (normative) Security systems	42
B.1	Access to the data centre premises	42
B.2	Fire suppression systems	45
B.3	Management of electrical interference	46
	Bibliography	47

Figures

	Figure 1 — Schematic relationship between the EN 50600 standards	6
	Figure 2 — Data centre management processes overview	8

Tables

	Table A.1 — Prioritization of processes	40
	Table A.2 — Operational levels	41

EN 50600-3-1:2016

European foreword

This document (EN 50600-3-1:2016) has been prepared by CLC/TC 215 “Electrotechnical aspects of telecommunication equipment”.

The following dates are fixed:

- latest date by which this document has to be (dop) 2017-01-26
implemented at national level by publication of an
identical national standard or by endorsement
- latest date by which the national standards conflicting (dow) 2019-01-26
with this document have to be withdrawn

Attention is drawn to the possibility that some of the elements of this document may be the subject of patent rights. CENELEC [and/or CEN] shall not be held responsible for identifying any or all such patent rights.

This document has been prepared under a mandate given to CENELEC by the European Commission and the European Free Trade Association.

Introduction

The unrestricted access to internet-based information demanded by the information society has led to an exponential growth of both internet traffic and the volume of stored/retrieved data. Data centres are housing and supporting the information technology and network telecommunications equipment for data processing, data storage and data transport. They are required both by network operators (delivering those services to customer premises) and by enterprises within those customer premises.

Data centres need to provide modular, scalable and flexible facilities and infrastructures to easily accommodate the rapidly changing requirements of the market. In addition, energy consumption of data centres has become critical both from an environmental point of view (reduction of carbon footprint) and with respect to economic considerations (cost of energy) for the data centre operator.

The implementation of data centres varies in terms of:

- a) purpose (enterprise, co-location, co-hosting, or network operator facilities);
- b) security level;
- c) physical size;
- d) accommodation (mobile, temporary and permanent constructions).

The needs of data centres also vary in terms of availability of service, the provision of security and the objectives for energy efficiency. These needs and objectives influence the design of data centres in terms of building construction, power distribution, environmental control and physical security. Effective management and operational information is required to monitor achievement of the defined needs and objectives.

This series of European Standards specifies requirements and recommendations to support the various parties involved in the design, planning, procurement, integration, installation, operation and maintenance of facilities and infrastructures within data centres. These parties include:

- 1) owners, facility managers, ICT managers, project managers, main contractors;
- 2) architects, consultants, building designers and builders, system and installation designers;
- 3) facility and infrastructure integrators, suppliers of equipment;
- 4) installers, maintainers.

At the time of publication of this European Standard, the EN 50600 series currently comprises the following standards:

- EN 50600-1, *Information technology — Data centre facilities and infrastructures — Part 1: General concepts*;
- EN 50600-2-1, *Information technology — Data centre facilities and infrastructures — Part 2-1: Building construction*;
- EN 50600-2-2, *Information technology — Data centre facilities and infrastructures — Part 2-2: Power distribution*;
- EN 50600-2-3, *Information technology — Data centre facilities and infrastructures — Part 2-3: Environmental control*;

EN 50600-3-1:2016

- EN 50600-2-4, *Information technology — Data centre facilities and infrastructures — Part 2-4: Telecommunications cabling infrastructure*;
- EN 50600-2-5, *Information technology — Data centre facilities and infrastructures — Part 2-5: Security systems*;
- EN 50600-3-1, *Information technology — Data centre facilities and infrastructures — Part 3-1: Management and operational information*;
- FprEN 50600-4-1, *Information technology — Data centre facilities and infrastructures — Part 4-1: Overview of and general requirements for key performance indicators*;
- FprEN 50600-4-2, *Information technology — Data centre facilities and infrastructures — Part 4-2: Power Usage Effectiveness*;
- FprEN 50600-4-3, *Information technology — Data centre facilities and infrastructures — Part 4-3: Renewable Energy Factor*;
- CLC/TR 50600-99-1, *Information technology — Data centre facilities and infrastructures — Part 99-1: Recommended practices for energy management*.

The inter-relationship of the standards within the EN 50600 series is shown in Figure 1.

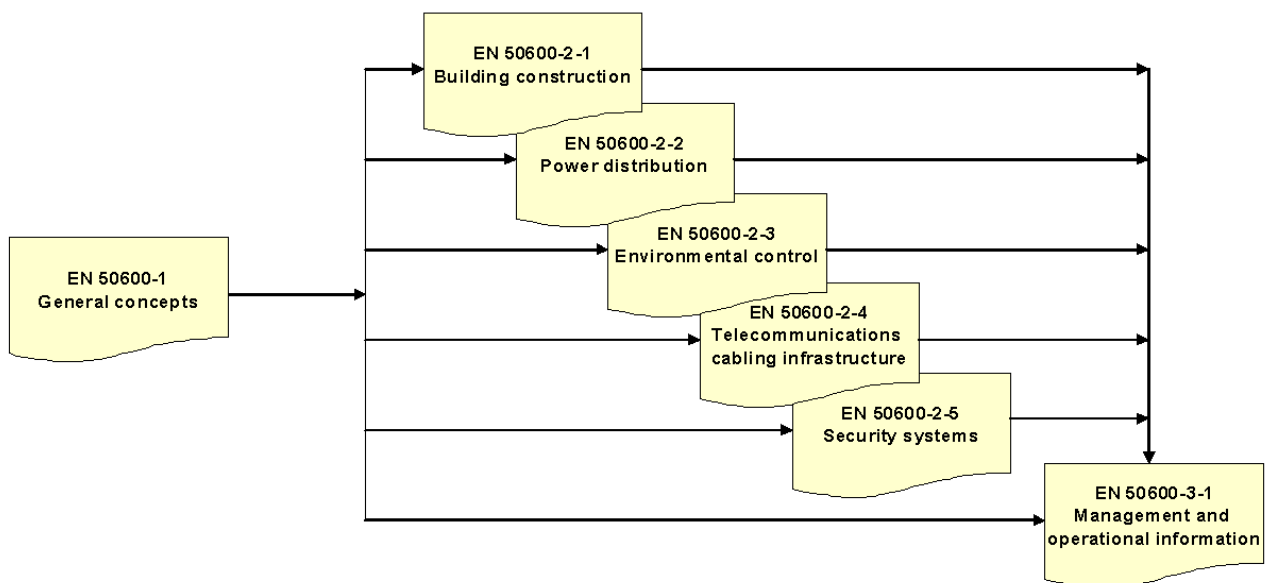


Figure 1 — Schematic relationship between the EN 50600 standards

EN 50600-2-X standards specify requirements and recommendations for particular facilities and infrastructures to support the relevant classification for “availability”, “physical security” and “energy efficiency enablement” selected from EN 50600-1.

EN 50600-3-X documents specify requirements and recommendations for data centre operations, processes and management.

This European Standard addresses the operational and management information (in accordance with the requirements of EN 50600-1). A data centre’s primary function typically is to house large quantities of computer and telecommunications hardware which affects the construction, operation, and physical security. Most of the data centres may impose special security requirements. Therefore, the planning of a data centre by the designer and the various engineering disciplines that will assist in the planning and implementation of the design of the data centre i.e. electrical, mechanical, security, etc. shall be carried out in cooperation with

the IT and telecommunications personnel, network professionals, the facilities manager, the IT end users, and any other personnel involved.

This European Standard is intended for use by and collaboration between facility managers, ICT managers, and main contractors.

This series of European Standards does not address the selection of information technology and network telecommunications equipment, software and associated configuration issues.

EN 50600-3-1:2016

1 Scope

This European Standard specifies processes for the management and operation of data centres. The primary focus of this standard is the operational processes necessary to deliver the expected level of resilience, availability, risk management, risk mitigation, capacity planning, security and energy efficiency.

The secondary focus is on management processes to align the actual and future demands of users. Figure 2 shows an overview of related processes.

The transition from planning and building to operation of a data centre is considered as part of the acceptance test process in Clause 6.

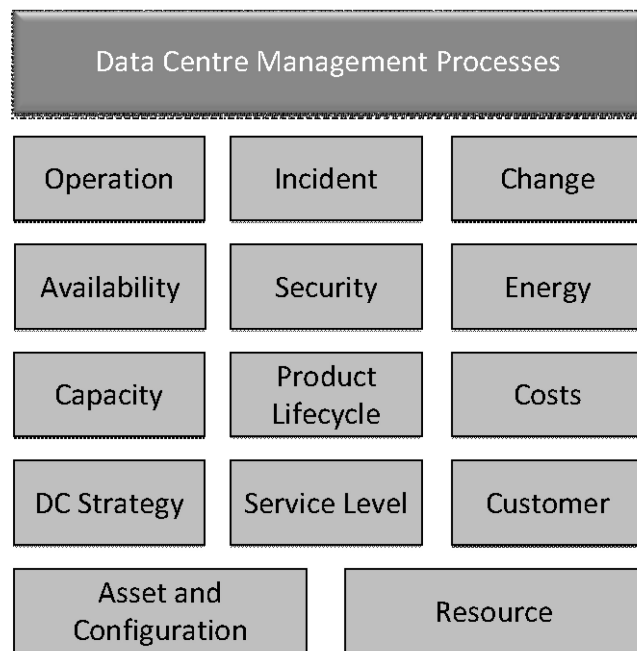


Figure 2 — Data centre management processes overview

NOTE 1 Only processes specific for data centres are in the scope of this document. Business processes like people management, financial management, etc. are out of scope.

NOTE 2 Specific skill sets are required of those working in and operating a data centre.

2 Normative references

The following documents, in whole or in part, are normatively referenced in this document and are indispensable for its application. For dated references, only the edition cited applies. For undated references, the latest edition of the referenced document (including any amendments) applies.

EN 50600-1:2012, *Information technology — Data centre facilities and infrastructures — Part 1: General concepts*

EN 50600-2 (all parts), *Information technology — Data centre facilities and infrastructures*

This is a free preview. Purchase the entire publication at the link below:

[Product Page](#)

-
- [Looking for additional Standards? Visit Intertek Inform Infostore](#)
 - [Learn about LexConnect, All Jurisdictions, Standards referenced in Australian legislation](#)
-