



NSAI
Standards

Irish Standard
I.S. EN 15969-1:2015

Tanks for transport of dangerous goods -
Digital interface for the data transfer
between tank vehicle and with stationary
facilities - Part 1: Protocol specification -
Control, measurement and event data

I.S. EN 15969-1:2015

Incorporating amendments/corrigenda/National Annexes issued since publication:

The National Standards Authority of Ireland (NSAI) produces the following categories of formal documents:

I.S. xxx: Irish Standard — national specification based on the consensus of an expert panel and subject to public consultation.

S.R. xxx: Standard Recommendation — recommendation based on the consensus of an expert panel and subject to public consultation.

SWiFT xxx: A rapidly developed recommendatory document based on the consensus of the participants of an NSAI workshop.

This document replaces/revises/consolidates the NSAI adoption of the document(s) indicated on the CEN/CENELEC cover/Foreword and the following National document(s):

NOTE: The date of any NSAI previous adoption may not match the date of its original CEN/CENELEC document.

This document is based on:

EN 15969-1:2015

Published:

2015-07-29

This document was published under the authority of the NSAI and comes into effect on:

2015-08-26

ICS number:

35.240.60

NOTE: If blank see CEN/CENELEC cover page

NSAI
1 Swift Square,
Northwood, Santry
Dublin 9

T +353 1 807 3800
F +353 1 807 3838
E standards@nsai.ie
W NSAI.ie

Sales:
T +353 1 857 6730
F +353 1 857 6729
W standards.ie

Údarás um Chaighdeáin Náisiúnta na hÉireann

EUROPEAN STANDARD

EN 15969-1

NORME EUROPÉENNE

EUROPÄISCHE NORM

July 2015

ICS 35.240.60

Supersedes EN 15969-1:2011

English Version

Tanks for transport of dangerous goods - Digital interface for the data transfer between tank vehicle and with stationary facilities - Part 1: Protocol specification - Control, measurement and event data

Citernes destinées au transport de matières dangereuses - Interface numérique pour le transfert de données entre des véhicules-citernes et des installations fixes - Partie 1: Spécifications du protocole - Contrôle, données de mesure et d'événements

Tanks für die Beförderung gefährlicher Güter - Digitale Schnittstelle für den Datenaustausch zwischen Tankfahrzeugen und stationären Einrichtungen - Teil 1: Protokollspezifikation - Steuerungs-, Mess- und Ereignisdaten

This European Standard was approved by CEN on 6 June 2015.

CEN members are bound to comply with the CEN/CENELEC Internal Regulations which stipulate the conditions for giving this European Standard the status of a national standard without any alteration. Up-to-date lists and bibliographical references concerning such national standards may be obtained on application to the CEN-CENELEC Management Centre or to any CEN member.

This European Standard exists in three official versions (English, French, German). A version in any other language made by translation under the responsibility of a CEN member into its own language and notified to the CEN-CENELEC Management Centre has the same status as the official versions.

CEN members are the national standards bodies of Austria, Belgium, Bulgaria, Croatia, Cyprus, Czech Republic, Denmark, Estonia, Finland, Former Yugoslav Republic of Macedonia, France, Germany, Greece, Hungary, Iceland, Ireland, Italy, Latvia, Lithuania, Luxembourg, Malta, Netherlands, Norway, Poland, Portugal, Romania, Slovakia, Slovenia, Spain, Sweden, Switzerland, Turkey and United Kingdom.



EUROPEAN COMMITTEE FOR STANDARDIZATION
COMITÉ EUROPÉEN DE NORMALISATION
EUROPÄISCHES KOMITEE FÜR NORMUNG

CEN-CENELEC Management Centre: Avenue Marnix 17, B-1000 Brussels

Contents

Page

European foreword	4
Introduction	5
1 Scope	6
2 Normative references	6
3 Terms and definitions, abbreviations and conventions	6
3.1 Abbreviations	6
3.2 Terms and definitions	7
3.3 Conventions	8
4 Hardware interface.....	9
5 Basic protocol layer	9
5.1 FTL-frame (frame)	9
5.2 Frame flow (handshake).....	10
5.3 Delay and timeout	15
5.4 CRC16 Checksum	16
6 Data protocol layer (FTL-data protocol)	16
6.1 Client (OBC) and server (TVE).....	16
6.2 Syntax of data in datagrams	16
6.3 Nodes, subnodes, variables	16
6.4 Format identifiers.....	17
6.5 Types of variable values	19
6.6 Kinds of nodes	20
7 FTL-Data	21
7.1 General.....	21
7.2 Record and field types	21
7.3 Systemwide variables (subnode SYSTEM)	22
7.4 Variables related to global positioning system (subnode GPS).....	25
7.5 Accessing a printer on TVE-side (subnode PRN)	25
7.6 Compartment information (subnode COMP)	28
7.7 Notification about changes (subnode NOTIFY).....	29
7.8 Information about driver (subnode DRIVER)	30
7.9 Information about the vehicle (variable VEHICLE_ID)	31
7.10 Access to filesystem on TVE (subnode FS).....	31
7.11 Auxiliary (subnode AUX).....	36
7.12 Order management (subnode ORDER)	36
7.13 Goods and service database	40
7.14 FTL—logfile (subnodes LOG).....	42
7.15 Required variables	68
7.16 NAK ID.....	69
8 Routing for multiple TVE.....	70
8.1 Purpose.....	70
8.2 Routing solution	70
8.3 Routing example	70
9 Communication with office.....	71
9.1 General.....	71
9.2 Simple file transfer.....	72
9.3 FTL over TCP/IP	74

10	Communication Examples	76
10.1	Examples for Basic Protocol Layer level	76
10.2	Examples for data protocol layer	77
Annex A	(normative) Node tree	80
Annex B	(normative) Test FTL	82
B.1	Overview	82
B.2	Basic Protocol Layer	82
B.2.1	Frame Tests	82
B.2.2	CRC-error	83
B.2.3	Delay and Timeout	83
B.3	Data Protocol Layer	83
B.3.1	Test of Toggling	83
B.3.2	Test of the FTL data layer	84
B.3.3	Test of the required FTL nodes	85
B.3.4	Optional System Subnodes	88
B.3.5	Optional Node Prn	89
B.3.6	Node Comp	91
B.4	Application Layer	97
B.4.1	Test of the L-File	97
B.4.2	Test of the LH-File	97
B.4.3	Test for the Filling of the NodeList	98
B.4.4	Sequence Test	98
	Bibliography	100

EN 15969-1:2015 (E)

European foreword

This document (EN 15969-1:2015) has been prepared by Technical Committee CEN/TC 296 “Tanks for transport of dangerous goods”, the secretariat of which is held by AFNOR.

This European Standard shall be given the status of a national standard, either by publication of an identical text or by endorsement, at the latest by January 2016 and conflicting national standards shall be withdrawn at the latest by January 2016.

Attention is drawn to the possibility that some of the elements of this document may be the subject of patent rights. CEN [and/or CENELEC] shall not be held responsible for identifying any or all such patent rights.

This document supersedes EN 15969-1:2011.

In comparison with EN 15969-1:2011, the following fundamental changes have been made:

- the following fields in Table 13 added: L0403, L2004, L4106 and L4208;
- Table 13 in field L2002 event codes added and in field L4203 access paths added;
- figures in 5.2 corrected;
- examples in 10.2 and Annex B corrected.

EN 15969, *Tanks for transport of dangerous goods — Digital interface for the data transfer between tank vehicle and with stationary facilities* consists of the following parts:

- *Part 1: Protocol Specification — Control, measurement and event data*
- *Part 2: Commercial and logistic data*

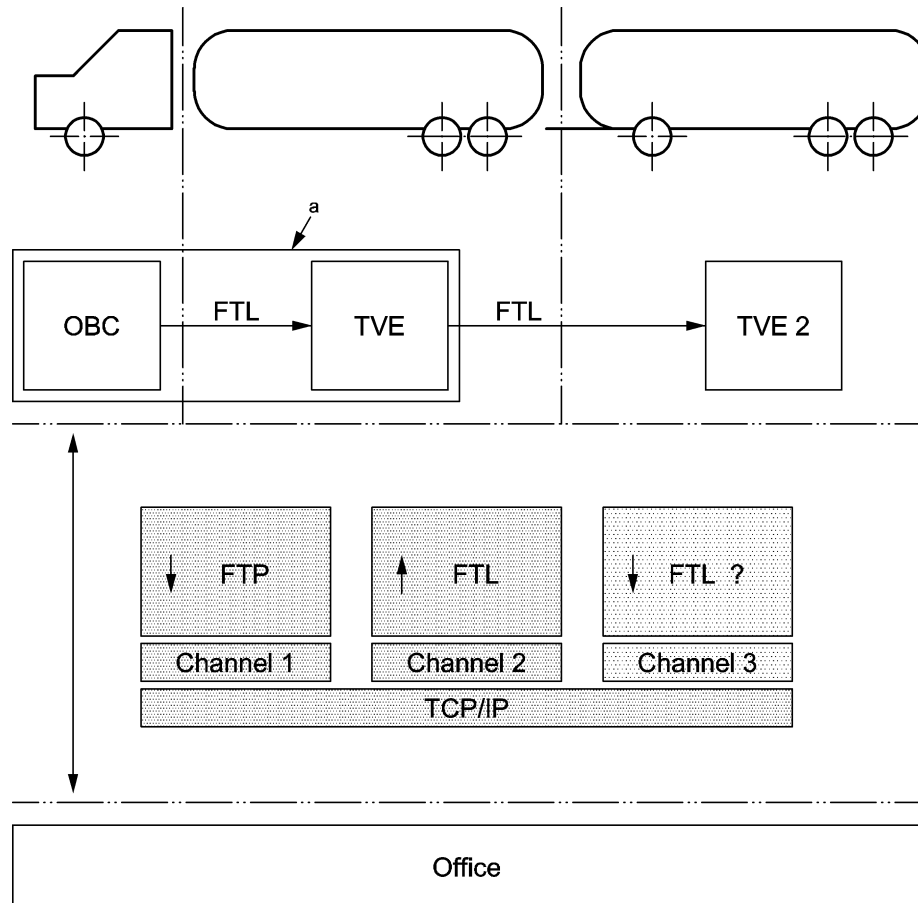
This European Standard forms part of a coherent standards programme comprising the following standards:

- EN 13616, *Overfill prevention devices for static tanks for liquid petroleum fuels*
- EN 13922, *Tanks for transport of dangerous goods — Service equipment for tanks — Overfill prevention systems for liquid fuels*
- EN 14116:2012+A1:2014, *Tanks for transport of dangerous goods — Digital interface for the product recognition device for liquid fuels*
- EN 15207, *Tanks for the transport of dangerous goods — Plug/socket connection and supply characteristics for service equipment in hazardous areas with 24 V nominal supply voltage*
- EN 15208, *Tanks for transport of dangerous goods — Sealed parcel delivery systems — Working principles and interface specifications*
- EN 15969-2, *Tanks for transport of dangerous goods — Digital interface for the data transfer between tank vehicle and with stationary facilities — Part 2: Commercial and logistic data*

According to the CEN-CENELEC Internal Regulations, the national standards organizations of the following countries are bound to implement this European Standard: Austria, Belgium, Bulgaria, Croatia, Cyprus, Czech Republic, Denmark, Estonia, Finland, Former Yugoslav Republic of Macedonia, France, Germany, Greece, Hungary, Iceland, Ireland, Italy, Latvia, Lithuania, Luxembourg, Malta, Netherlands, Norway, Poland, Portugal, Romania, Slovakia, Slovenia, Spain, Sweden, Switzerland, Turkey and the United Kingdom.

Introduction

FTL is an acronym for **Fuel Truck Link**, the interface between electronic system(s) on board of a tank vehicle (tank-vehicle-equipment) and any external computer, e.g. an on-board-computer installed in the driver's cabin; for illustration see Figure 1.



Key

→ direction of communication (client → server)

a may be either two independent units or one single unit which incorporates both functions OBC and TVE

Figure 1

EN 15969-1:2015 (E)

1 Scope

This European Standard specifies data protocols and data format for the interfaces between electronic equipment (TVE), on-board computer (OBC) of the tank vehicle and stationary equipment for all interconnecting communication paths.

This European Standard specifies the basic protocol FTL used in the communication (basic protocol layer), the format and structure of FTL-data to be transmitted (data protocol layer) and describes the content of the FTL-data.

This data protocol may be used for other application, e.g. between stationary tank equipment and offices.

2 Normative references

The following documents, in whole or in part, are normatively referenced in this document and are indispensable for its application. For dated references, only the edition cited applies. For undated references, the latest edition of the referenced document (including any amendments) applies.

EN 13616, *Overfill prevention devices for static tanks for liquid petroleum fuels*

EN 13922, *Tanks for transport of dangerous goods — Service equipment for tanks — Overfill prevention systems for liquid fuels*

EN 14116:2012+A1:2014, *Tanks for transport of dangerous goods — Digital interface for product recognition devices for liquid fuels*

EN 15208:2014, *Tanks for transport of dangerous goods — Sealed parcel delivery systems — Working principles and interface specifications*

EN 15969-2:2011, *Tanks for transport of dangerous goods — Digital interface for the data transfer between tank vehicle and with stationary facilities — Part 2: Commercial and logistic data*

ISO 639-1, *Codes for the representation of names of languages — Part 1: Alpha-2 code*

ISO/IEC 10646:2014, *Information technology — Universal Coded Character Set (UCS)*

DIN 51757:2011, *Testing of mineral oils and related materials — Determination of density*

3 Terms and definitions, abbreviations and conventions

For the purposes of this document, the following terms and definitions, abbreviations and conventions apply.

3.1 Abbreviations

ACK	acknowledge controlframe
ADF	additional dataframe
ASCII	American Standard Code for Information Interchange
CAN	cancel controlframe
CRC	cyclic redundancy checksum
CSV	comma separated variable record
COP	crossover prevention

This is a free preview. Purchase the entire publication at the link below:

[Product Page](#)

-
- [Looking for additional Standards? Visit Intertek Inform Infostore](#)
 - [Learn about LexConnect, All Jurisdictions, Standards referenced in Australian legislation](#)
-